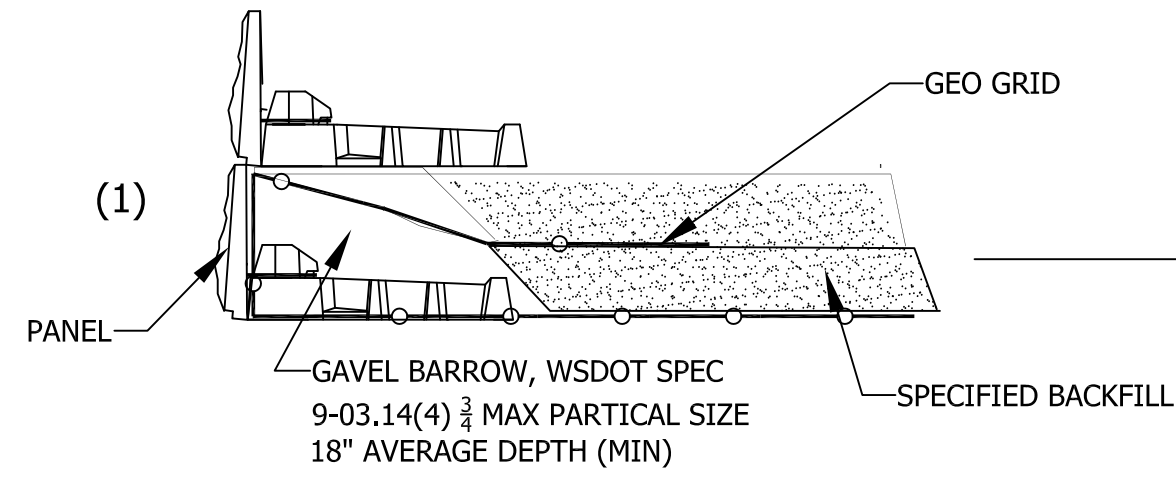
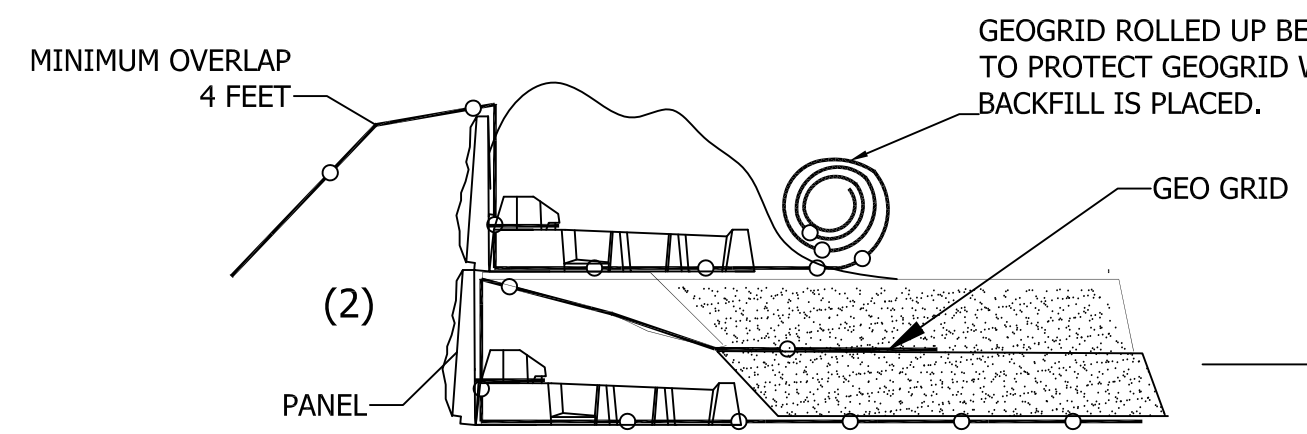


LOCK+LOAD™ WSDOT

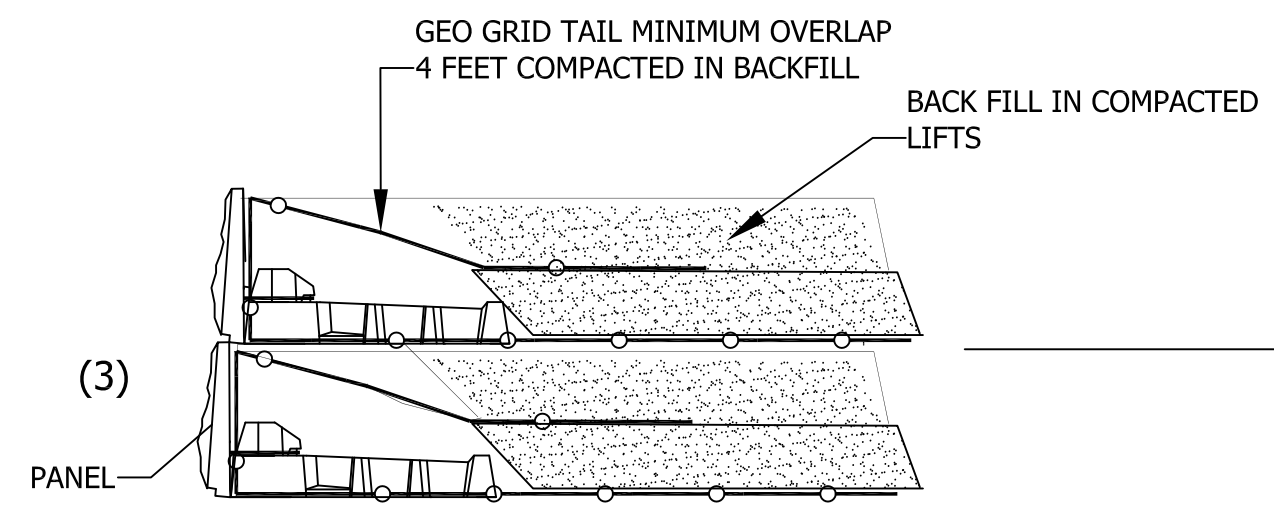


(1) SET COUNTERFORT AND PANEL ON COMPLETED LIFT.



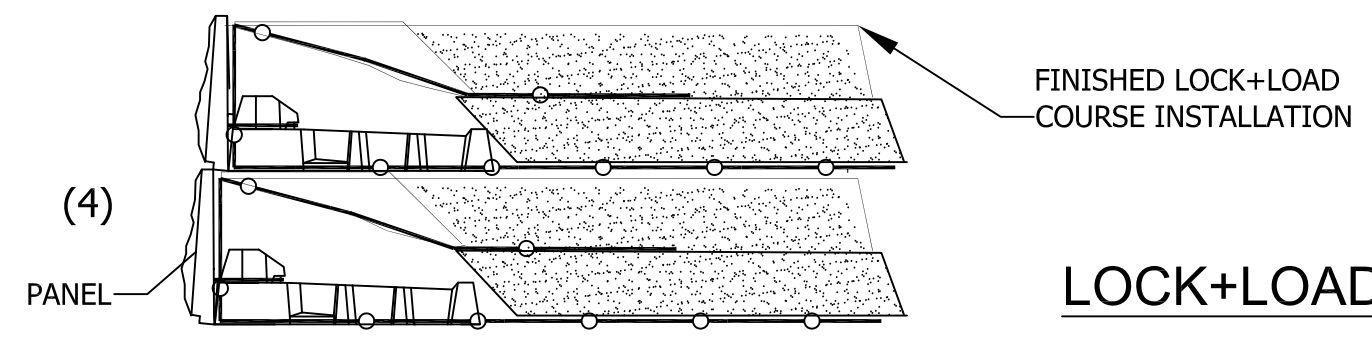
(2) UNROLL GEOGRID REINFORCEMENT AND POSITION IT SO THAT THE TAIL DRAPES OVER THE FACING PANEL. CUT GEOGRID ON BOTH SIDES OF EACH COUNTERFORT ONLY, AND TUCK IN SLACK GEOGRID (SEE AXON VIEW), CUT ONLY GEOGRID STRANDS THAT RUN PARALLEL TO WALL FACE AND CROSS OVER COUNTERFORT.

PLACE BACK FILL IN A WINDROW SLIGHTLY GREATER THAN FULL LIFT AGAINST LOCK + LOAD PANEL TO HOLD GEOGRID IN PLACE.



(3) PLACE THE GEOGRID TAIL OVER THE WINDROW, SLOPE TAIL TO TOP OF REAR OF COUNTERFORT. LOCK INTO PLACE WITH BACKFILL.

ENTIRE REINFORCED ZONE TO BE COMPACTED TO WSDOT STANDARD SPECIFICATION FOR MSE REINFORCED ZONE.



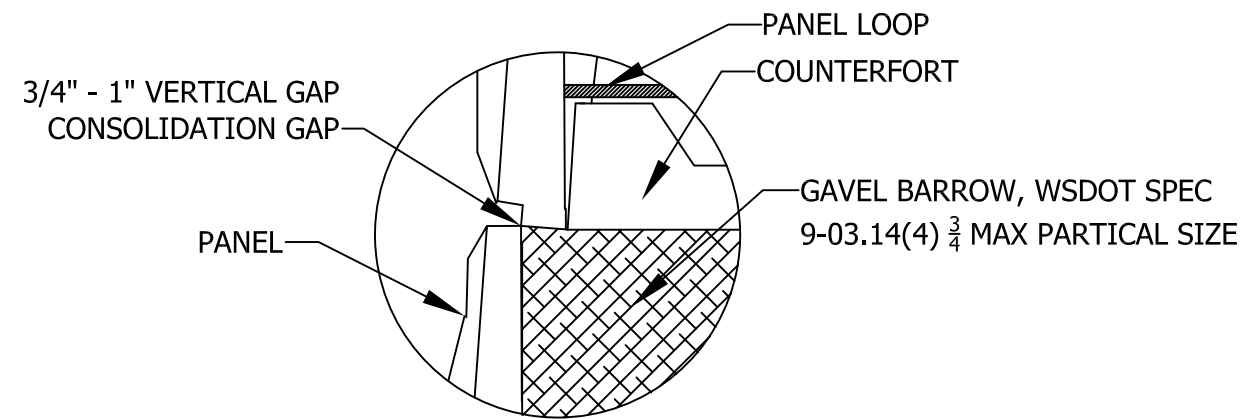
LOCK+LOAD LIFT ASSEMBLY DETAIL

REV #	DESCRIPTION	DATE

LOCK+LOAD™
RETAINING WALL SYSTEMS
1681 CHESTNUT STREET, SUITE 400, VANCOUVER, B.C. V6J 4M6
Tel: (604) 732-9990 Toll Free: 1-877-901-9998 Fax: (604) 737-1140
Web site: www.lock-load.com

DRAWING NAME: GEO WRAP WALL W / LOCK+LOAD
PROJECT NAME: TYPICAL DETAILS
LOCATION: _____
CITY: _____ COUNTRY: _____

DRAWN BY: KJA DATE: 1/06/12
APPROVED BY: RC/DA PREPARED FOR: _____
SCALE: N.T.S.
OUR PROJECT NUMBER: _____ OUR DRAWING NUMBER: LL-WSDOT-1A-GEO-A1
CUSTOMER DRAWING

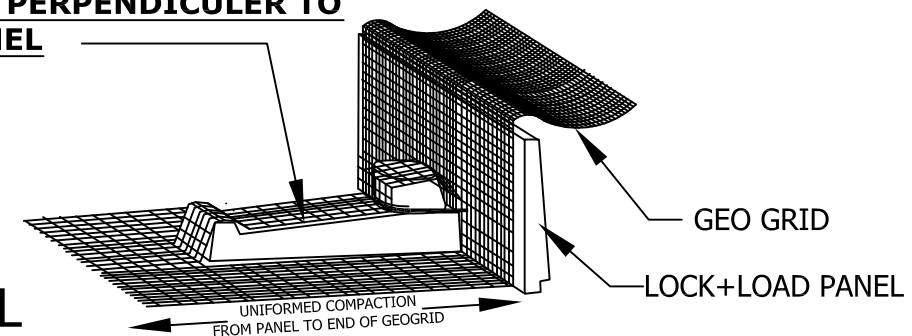


ASSEMBLY DETAIL

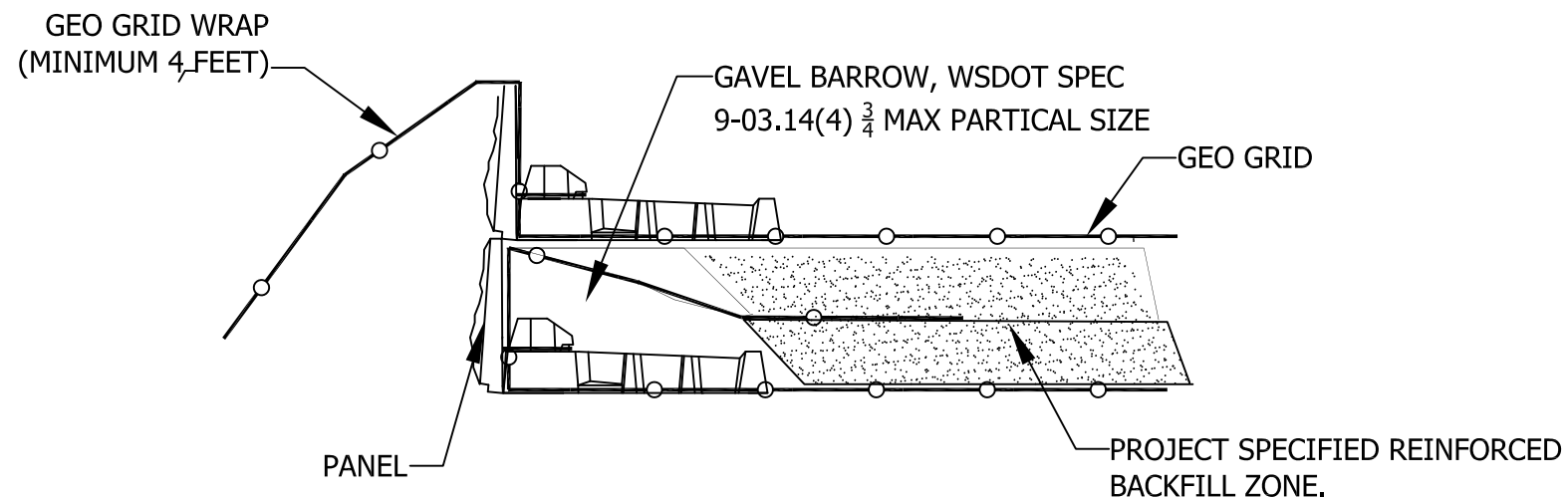
CUT GEOGRID ON BOTH SIDE OF COUNTERFORT TO RELIEVE TENSION ON GRID.

CUT ONLY PERPENDICULAR TO WALL PANEL

GRID DETAIL



FULL UNIFORMED COMPACTION IS MANDATORY.
 (LOCK + LOAD CANTILEVER SYSTEM MAKES IT POSSIBLE TO ACHIEVE 95% PROCTOR AT WALL FACE)
 * ALL REINFORCEMENT PRODUCTS FROM WSDOT QPL LIST



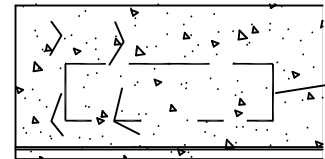
TYPICAL SECTION AT WALL FACE

NOTE.
 ENTIRE REINFORCED ZONE TO BE COMPACTED TO WSDOT STANDARD SPECIFICATION FOR MSE REINFORCED ZONE.

REV #	DESCRIPTION	DATE
-------	-------------	------

LOCK+LOADTM
 RETAINING WALL SYSTEMS
 1681 CHESTNUT STREET, SUITE 400, VANCOUVER, B.C. V6J 4M6
 Tel:(604) 732-9990 Toll Free: 1-877-301-9998 Fax: (604) 737-1140
 Web site: www.lock-load.com

DRAWING NAME: GEO SYNTHETIC WALL W/LOCK + LOAD	
PROJECT NAME: TYPICAL DETAILS	
LOCATION:	
CITY: COUNTRY:	
DRAWN BY: KJA	DATE: 01/06/12
APPROVED BY: RC/DA	PREPARED FOR:
SCALE: N.T.S.	FOR:
OUR PROJECT NUMBER	OUR DRAWING NUMBER
CUSTOMER DRAWING	LL-WSDOT-1B-GEO-A2

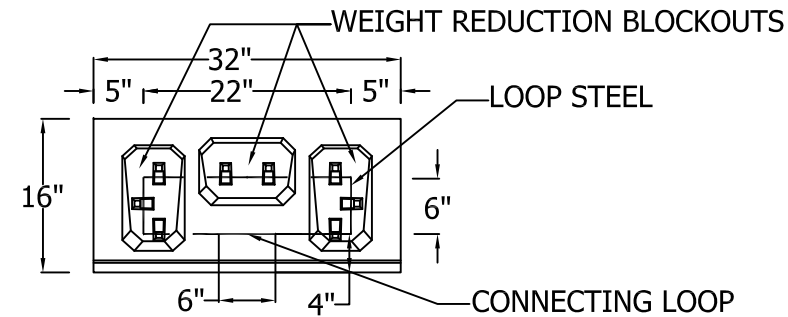


CONNECTING LOOP

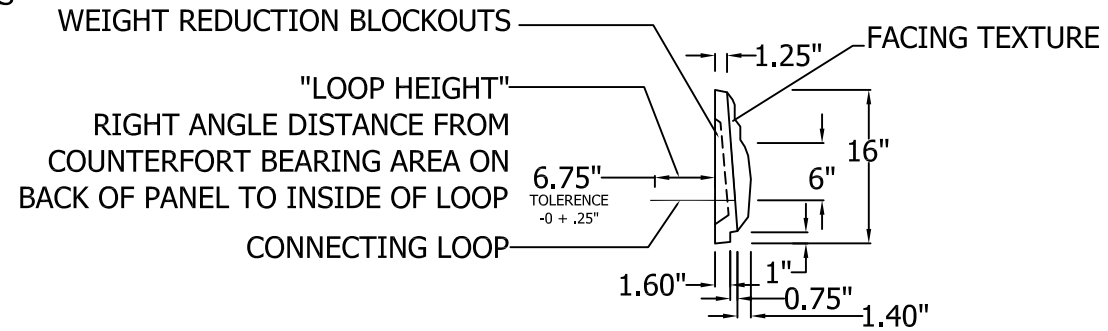
FRONT VIEW

NOTE:

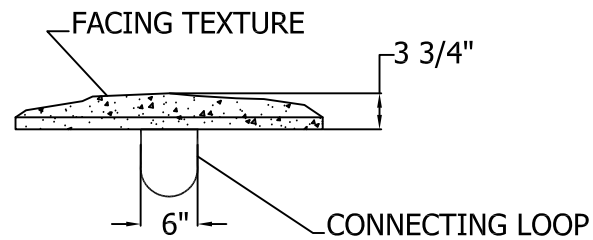
- 1) MINIMUM CONCRETE COMPRESSIVE STRENGTH AT 28 DAYS IS 5500 PSI
- 2) 6% AIR ENTRAINMENT
- 3) 3 LBS STRUCTURAL FIBER PER CUBIC YARD
- 4) FACING TEXTURE AS SPECIFIED IN CONTRACT
- 5) LOOP EMBEDMENT STAYS THE SAME FOR ALL TEXTURES



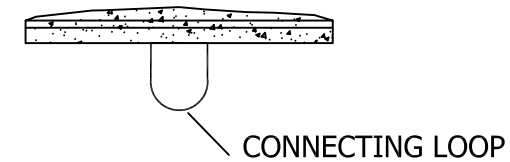
BACK VIEW



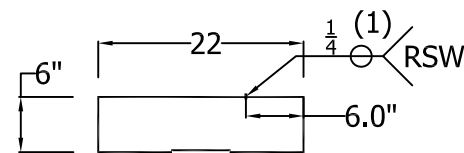
SIDE VIEW



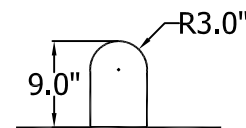
TOP VIEW



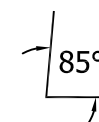
BOTTOM VIEW



FRONT VIEW



TOP VIEW



SIDE VIEW

CONNECTING LOOP- DETAIL

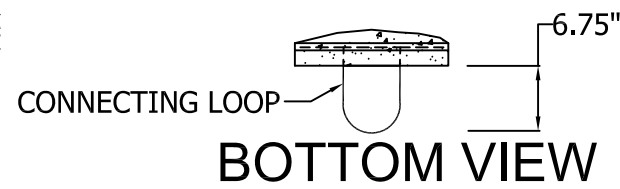
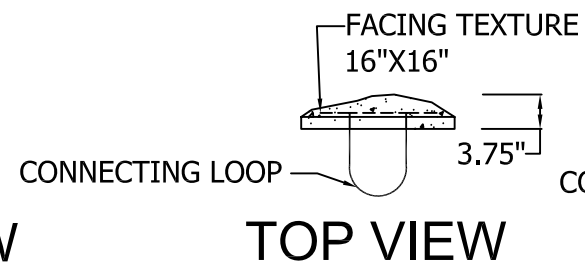
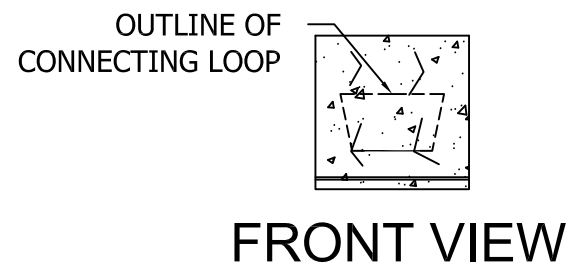
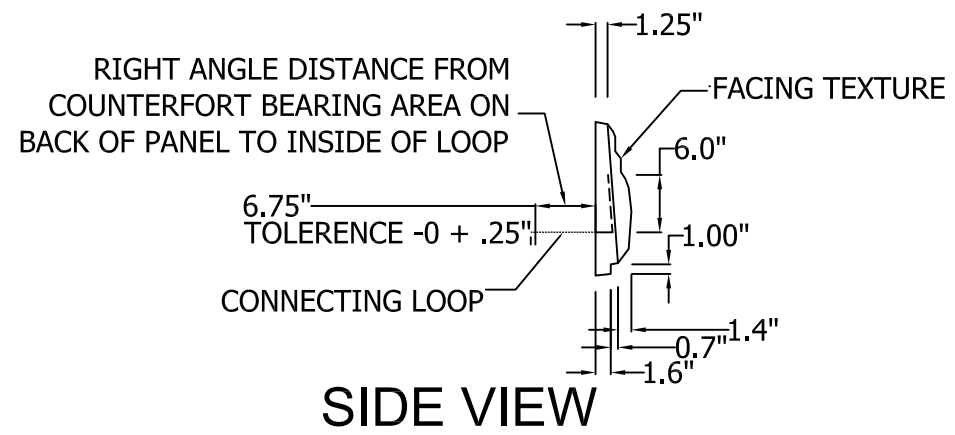
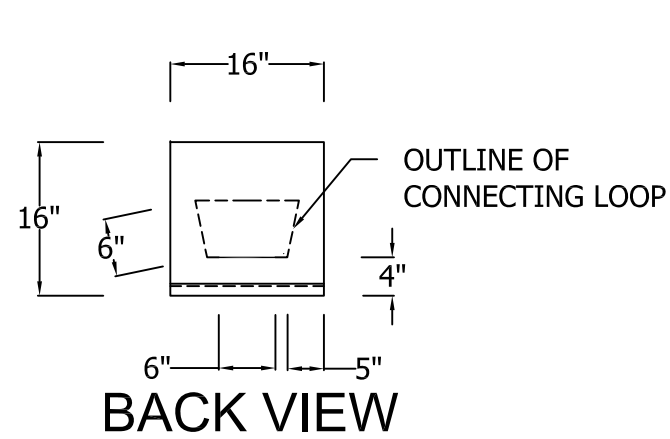
NOTE:

MATERIAL IS 1/4" DIA. T304 STAINLESS STEEL WIRE ASTM A580
 ALL DIMENSIONS OUTSIDE TO OUTSIDE INCLUDING RADIUS
 WELDING IN ACCORDANCE WITH AASHTO/AWS D1.5M/D1.5

REV #	DESCRIPTION	DATE

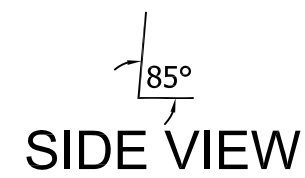
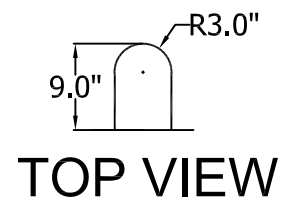
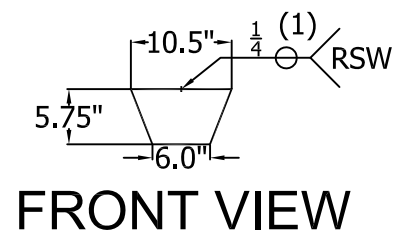
LOCK+LOADTM
 RETAINING WALL SYSTEMS
 1681 CHESTNUT STREET, SUITE 400, VANCOUVER, B.C. V6J 4M6
 Tel:(604) 732-9990 Toll Free: 1-877-301-9998 Fax: (604) 737-1140
 Web site: www.lock-load.com

DRAWING NAME STANDARD PANEL / CONNECTION DETAIL	
PROJECT NAME TYPICAL DETAILS	
LOCATION	
CITY COUNTRY	
DRAWN BY KJA	DATE 01/06/12
APPROVED BY RC/DA	PREPARED FOR
SCALE N.T.S.	FOR
OUR PROJECT NUMBER	OUR DRAWING NUMBER
CUSTOMER DRAWING	LL-WSDOT-1C PANEL



NOTE:

- 1) MINIMUM CONCRETE COMPRESSIVE STRENGTH AT 28 DAYS IS 5500PSI
- 2) 6% AIR ENTRAINMENT
- 3) 3 LBS STRUCTURAL FIBER PER CUBIC YARD
- 4) FACING TEXTURE AS SPECIFIED IN THE CONTRACT



HALF PANEL CONNECTING LOOP DETAIL

NOTE:

MATERIAL IS 1/4" DIA. T304 115 KSI STAINLESS STEEL WIRE ASTM A580
 ALL DIMENSIONS ARE OUTSIDE TO OUTSIDE INCLUDING RADIUS
 WELDING IN ACCORDANCE WITH AASHTO/AWS D1.5M/D1.5

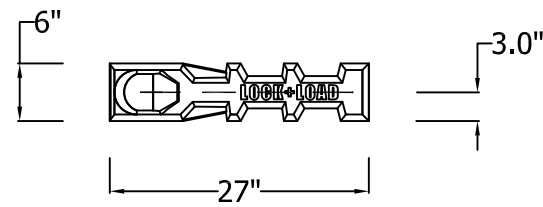
REV #	DESCRIPTION	DATE

LOCK+LOADTM
 RETAINING WALL SYSTEMS
 1681 CHESTNUT STREET, SUITE 400, VANCOUVER, B.C. V6J 4M6
 Tel:(604) 732-9990 Toll Free: 1-877-301-9998 Fax: (604) 737-1140
 Web site: www.lock-load.com

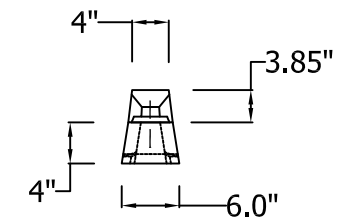
DRAWING NAME	HALF WIDE PANEL
PROJECT NAME	TYPICAL DETAILS
LOCATION	
CITY	COUNTRY
DRAWN BY	DATE
KJA	01/06/12
APPROVED BY	PREPARED
RC/DA	FOR
SCALE	N.T.S.
OUR PROJECT NUMBER	OUR DRAWING NUMBER
CUSTOMER DRAWING	LL-WSDOT-1D-HALF PANEL

NOTE:

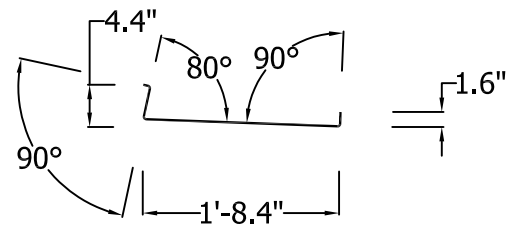
- 1) MINIMUM CONCRETE COMPRESSIVE STRENGTH AT 28 DAYS 5500 PSI
- 2) 6% AIR ENTRAINMENT
- 3) 3 LBS STRUCTURAL FIBER PER CUBIC YARD



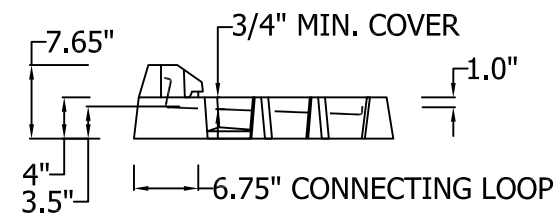
TOP VIEW



REAR VIEW



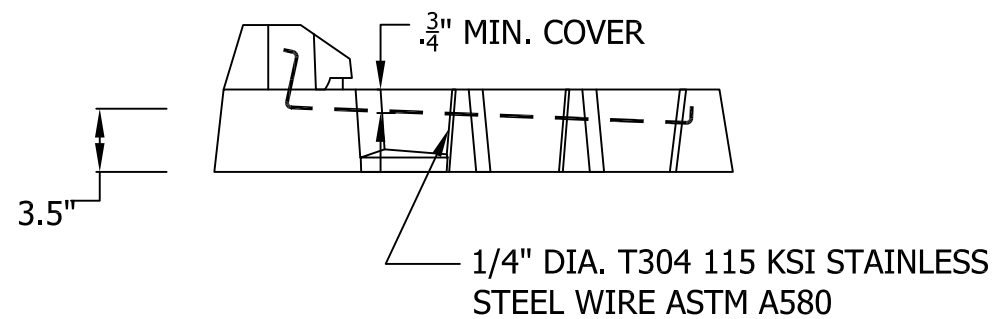
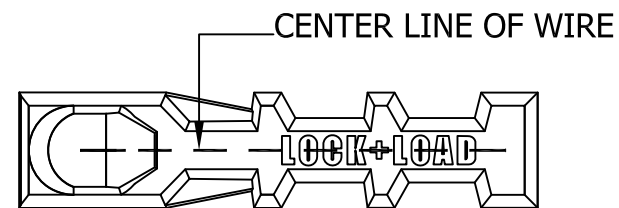
BAR BENDING DETAIL



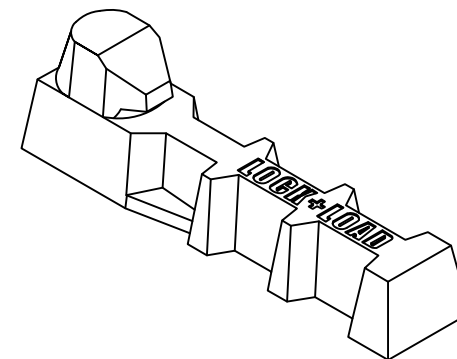
SIDE VIEW

NOTE:

- 1) MATERIAL IS 1/4" DIA. T304 115 KSI STAINLESS STEEL WIRE ASTM A580



LOCATION

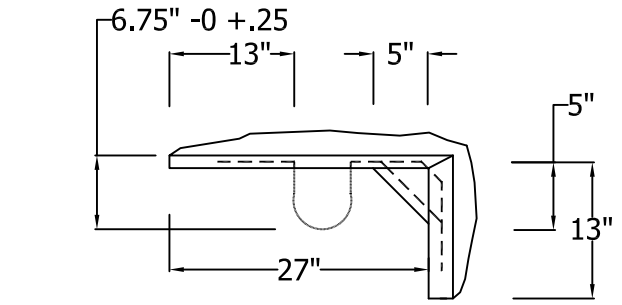


PICTORIAL VIEW

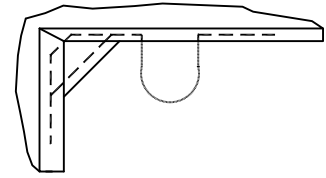
REV #	DESCRIPTION	DATE

LOCK+LOADTM
 RETAINING WALL SYSTEMS
 1681 CHESTNUT STREET, SUITE 400, VANCOUVER, B.C. V6J 4M6
 Tel: (604) 732-9990 Toll Free: 1-877-301-9998 Fax: (604) 737-1140
 Web site: www.lock-load.com

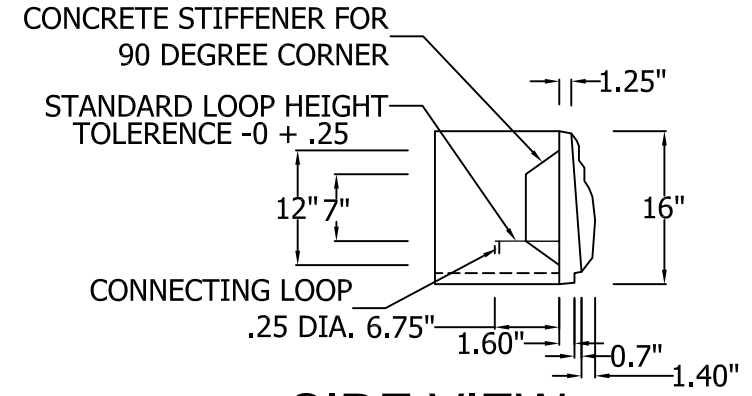
DRAWING NAME	STANDARD COUNTERFORT
PROJECT NAME	TYPICAL DETAILS
LOCATION	
CITY	COUNTRY
DRAWN BY	DATE
KJA	01/06/12
APPROVED BY	PREPARED
RC/DA	FOR
SCALE	N.T.S.
OUR PROJECT NUMBER	OUR DRAWING NUMBER
CUSTOMER DRAWING	LL-WSDOT-1E-COUNTERFORT



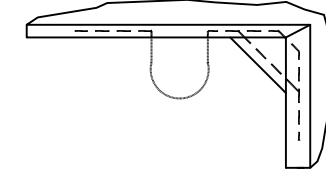
**TOP VIEW
LEFT OUSIDE CORNER**



**TOP VIEW
RIGHT OUTSIDE CORNER**

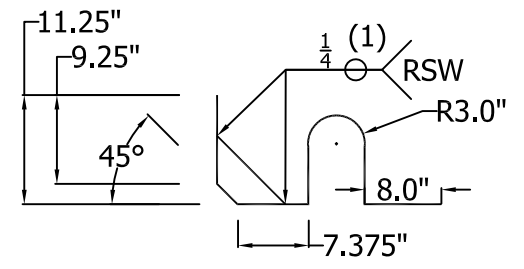


SIDE VIEW

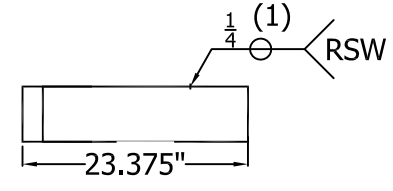


**TOP VIEW
LEFT OUTSIDE CORNER**

- NOTE:**
- 1) MINIMUM CONCRETE COMPRESSIVE STRENGTH 5500psi AT 28 DAYS
 - 2) 6% AIR ENTRAINMENT
 - 3) 3 LBS STRUCTURAL FIBER PER CUBIC YARD
 - 4) FACING TEXTURE AS SPECIFIED IN CONTRACT



TOP VIEW



FRONT VIEW



SIDE VIEW

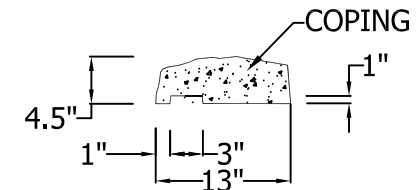
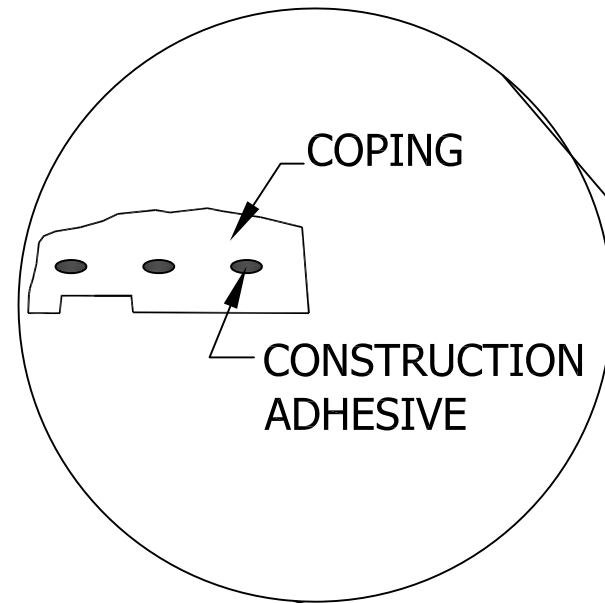
CORNER REINFORCEMENT DETAILS

- NOTE:**
- MATERIAL IS 1/4" DIA. T304 STAINLESS STEEL WIRE 115 KSI ASTM A 580
 ALL DIMENSIONS ARE TO OUTSIDE TO OUTSIDE INCLUDING RADIUS
 WELDING IN ACCORDANCE WITH AASHTO/AWS D1.5M/D1.5

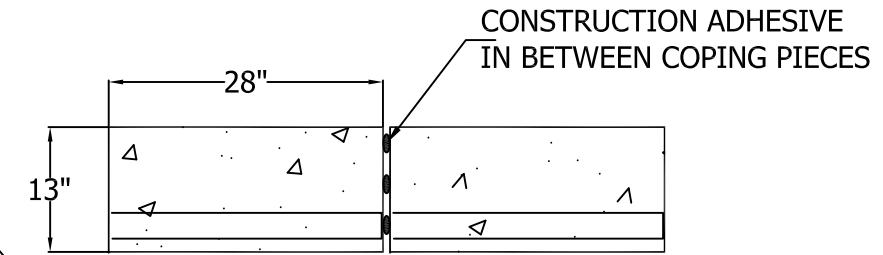
REV #	DESCRIPTION	DATE

LOCK+LOAD™
 RETAINING WALL SYSTEMS
 1681 CHESTNUT STREET, SUITE 400, VANCOUVER, B.C. V6J 4M6
 Tel: (604) 732-9990 Toll Free: 1-877-301-9998 Fax: (604) 737-1140
 Web site: www.lock-load.com

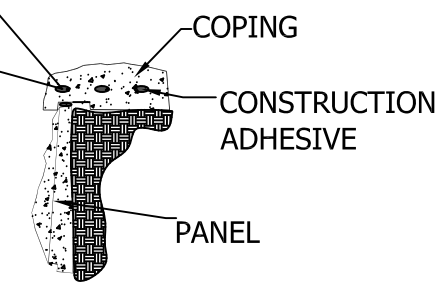
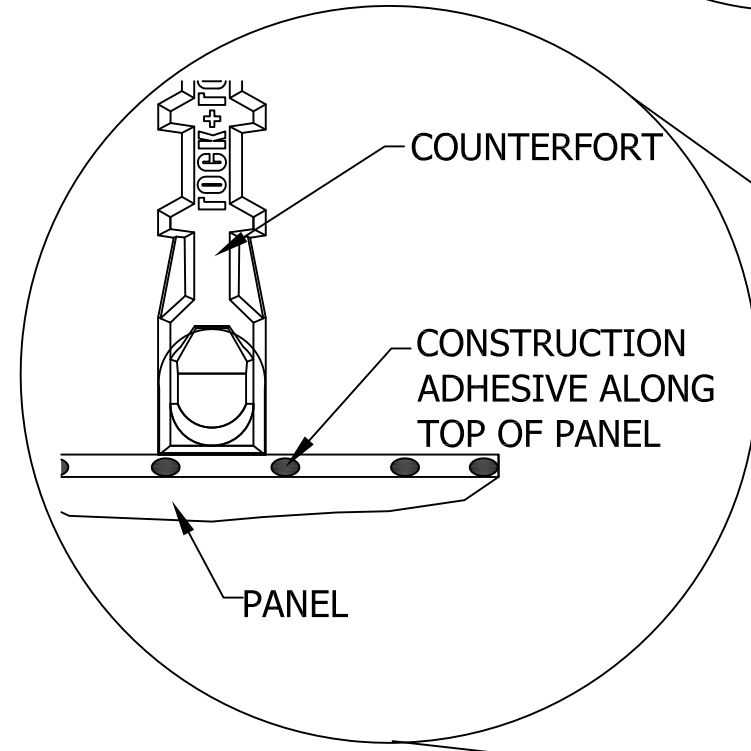
DRAWING NAME		WET CAST CORNER	
PROJECT NAME		TYPICAL DETAILS	
LOCATION			
CITY		COUNTRY	
DRAWN BY	KJA	DATE	01/06/12
APPROVED BY	RC/DA	PREPARED FOR	
SCALE	N.T.S.		
OUR PROJECT NUMBER		OUR DRAWING NUMBER	
CUSTOMER DRAWING		LL-WSDOT-1F-CORNER	



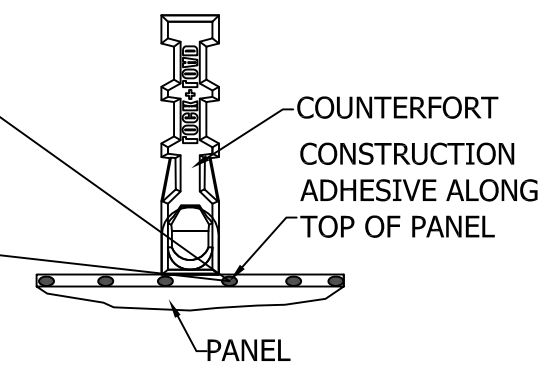
COPING SIDE VIEW



COPING TOP VIEW



ASSEMBLY SECTION



TOP VIEW OF PANEL

NOTES:

- 1) MINIMUM CONCRETE COMPRESSIVE STRENGTH AT 28 DAYS is 5500 psi
- 2) 6% AIR ENTRAINMENT
- 3) 3 LBS STRUCTURAL FIBER PER CUBIC YARD
- 4) COPING ONLY REQUIRED IF SPECIFIED

COPING DETAILS

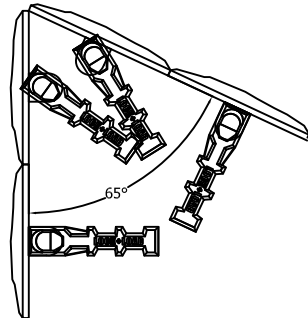
REV #	DESCRIPTION	DATE

REV #	DESCRIPTION	DATE

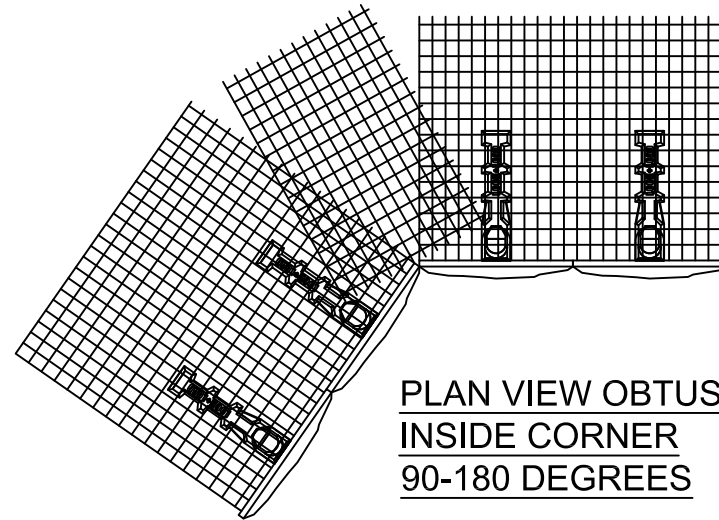
LOCK+LOADTM
 RETAINING WALL SYSTEMS
 1681 CHESTNUT STREET, SUITE 400, VANCOUVER, B.C. V6J 4M6
 Tel: (604) 732-9990 Toll Free: 1-877-301-9998 Fax: (604) 737-1140
 Web site: www.lock-load.com

DRAWING NAME	COPING
PROJECT NAME	TYPICAL DETAILS
LOCATION	
CITY	COUNTRY
DRAWN BY	KJA
DATE	01/06/12
APPROVED BY	RC/DA
SCALE	N.T.S.
OUR PROJECT NUMBER	OUR DRAWING NUMBER
CUSTOMER DRAWING	LL-WSDOT-1G-COPING

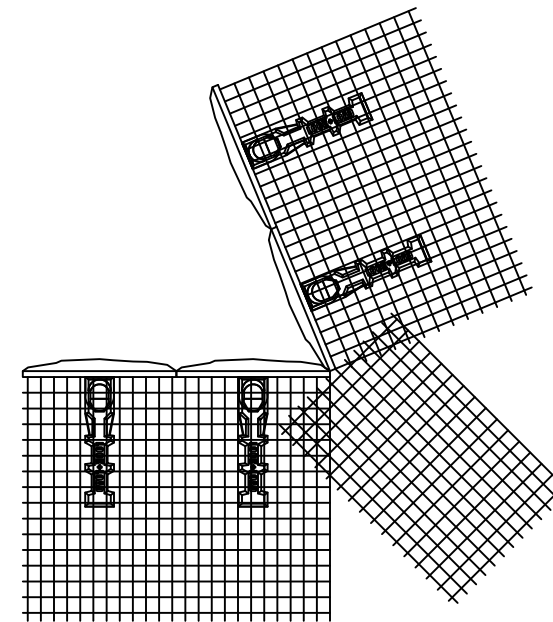
ALL GEOGRID MUST BE 100% OVER COUNTERFORT
AND EXTEND TO BACK OF PANEL AND VERTICAL FOR 4"
GEOGRID 100% COVERAGE UNLESS SPECIFIED OTHERWISE.



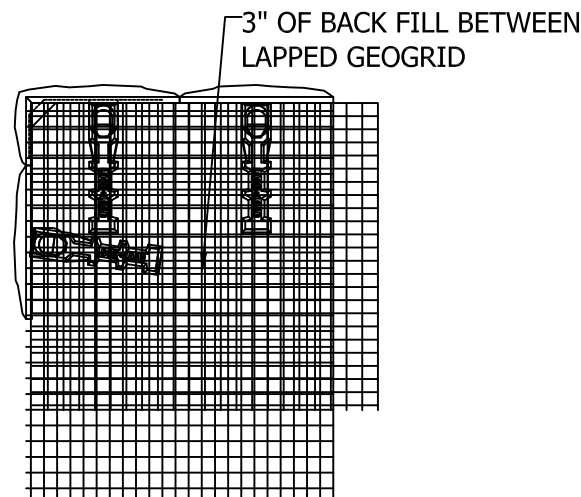
PLAN VIEW ACUTE OUTSIDE
CORNER 71-89 DEGREES



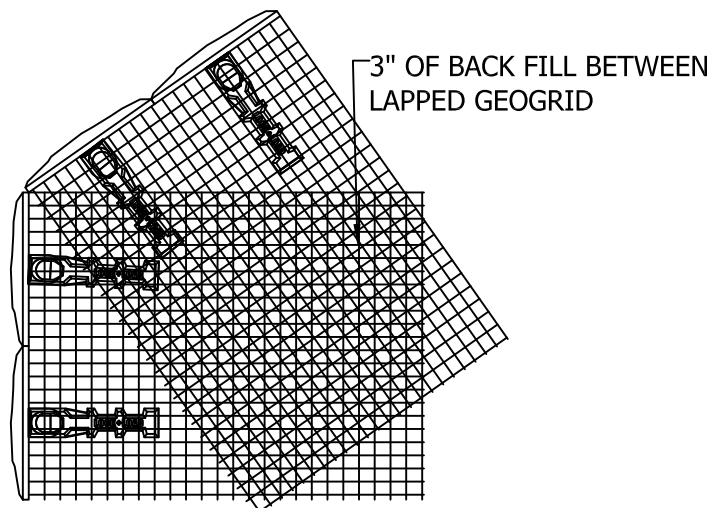
PLAN VIEW OBTUSE
INSIDE CORNER
90-180 DEGREES



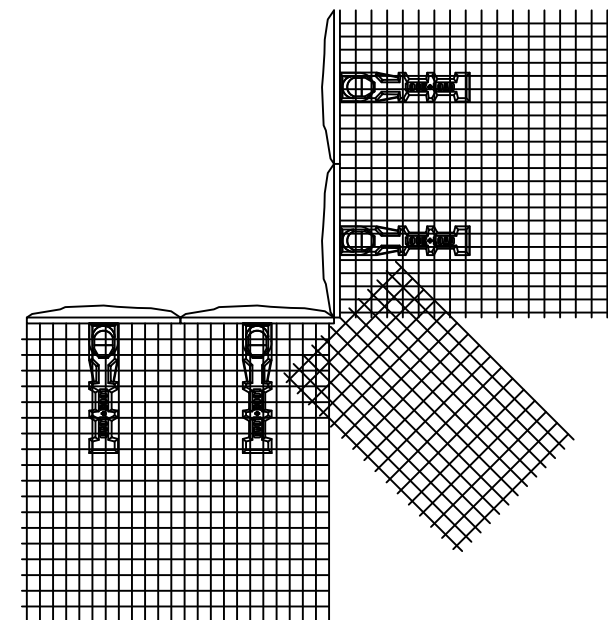
PLAN VIEW ACUTE INSIDE CORNER
90 DEGREES AND LESS (MINIMUM ANGLE 45°)



PLAN VIEW ORTHOGONAL
OUTSIDE CORNER 90 DEGREE



PLAN VIEW OBTUSE OUTSIDE
CORNER 90-180 DEGREES



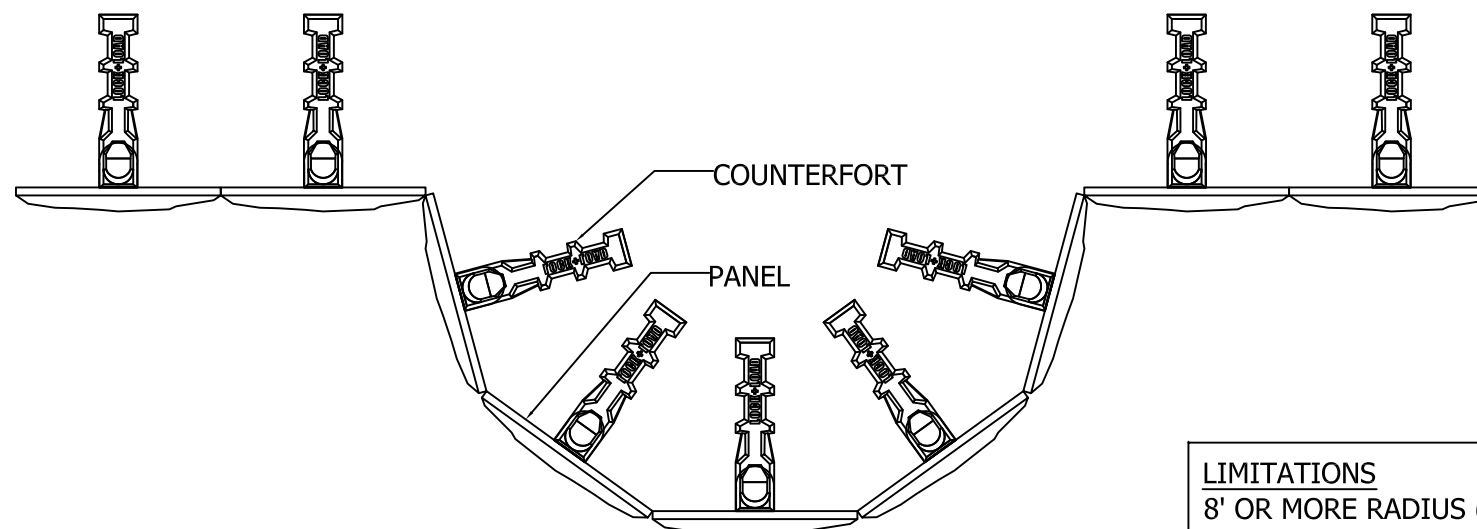
PLAN VIEW ORTHOGONAL
INSIDE CORNER 90 DEGREE

REV #	DESCRIPTION	DATE

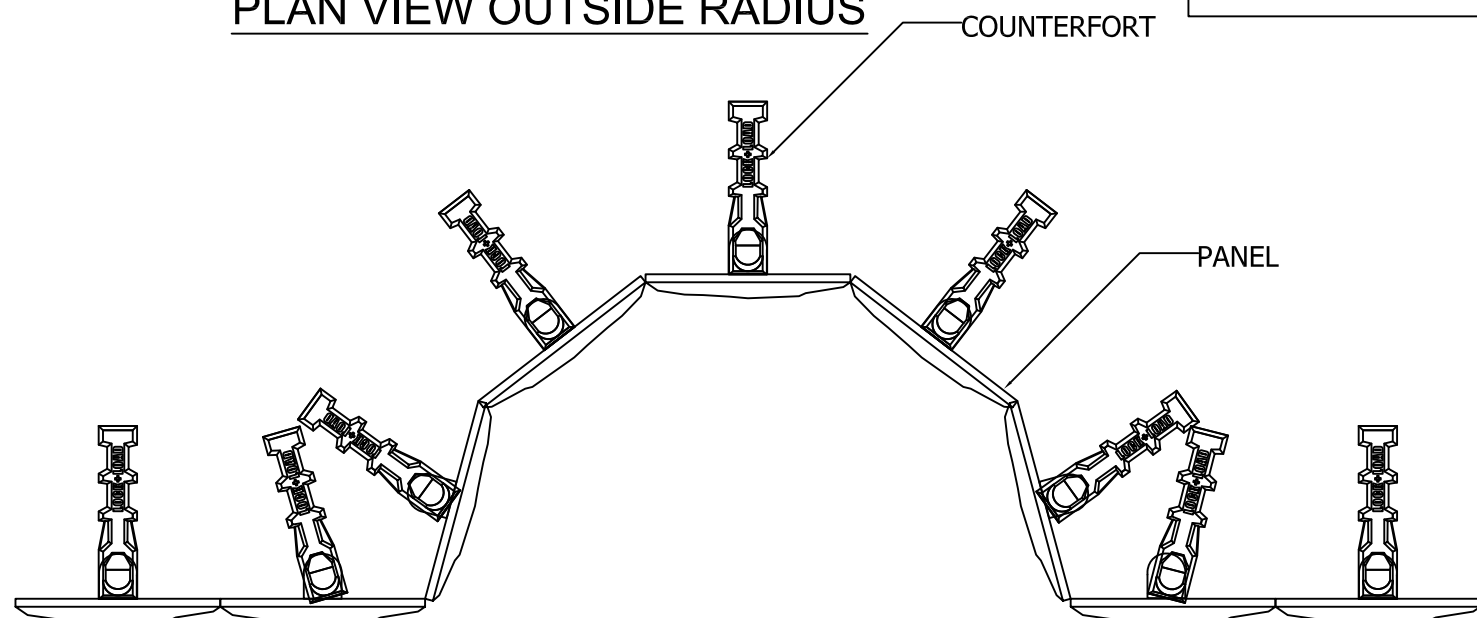
LOCK+LOADTM
RETAINING WALL SYSTEMS

1681 CHESTNUT STREET, SUITE 400, VANCOUVER, B.C. V6J 4M6
Tel: (604) 732-9990 Toll Free: 1-877-901-9998 Fax: (604) 737-1140
Web site: www.lock-load.com

DRAWING NAME	GEO GRID INSTALLATION	
PROJECT NAME	TYPICAL DETAILS	
LOCATION		
CITY	COUNTRY	
DRAWN BY	KJA	DATE 01/06/12
APPROVED BY	RC/DA	PREPARED FOR
SCALE	N.T.S.	FOR
OUR PROJECT NUMBER		OUR DRAWING NUMBER
CUSTOMER DRAWING		LL-WSDOT-3-GRID LAYOUT



PLAN VIEW OUTSIDE RADIUS



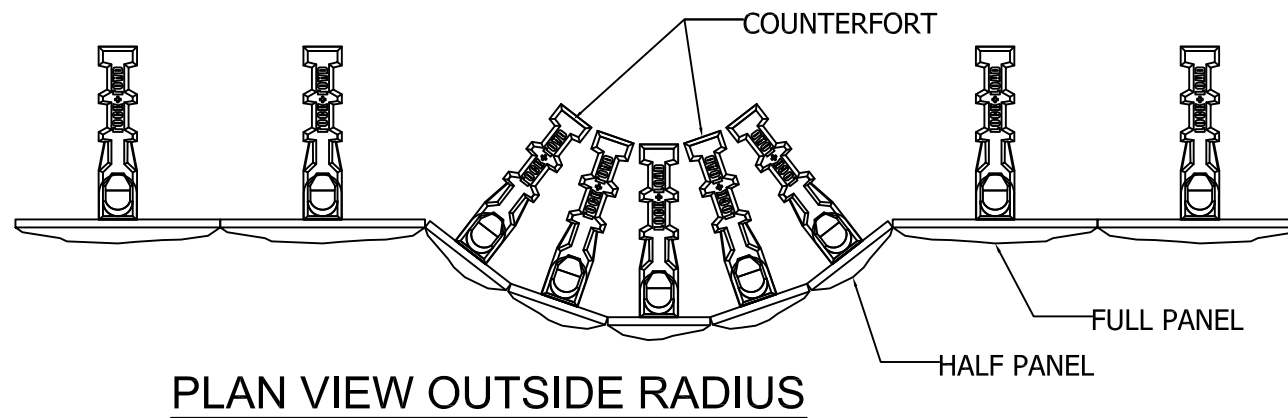
PLAN VIEW INSIDE RADIUS

LIMITATIONS
 8' OR MORE RADIUS (INSIDE OR OUTSIDE)
 USE STANDARD 32" PANEL

REV #	DESCRIPTION	DATE

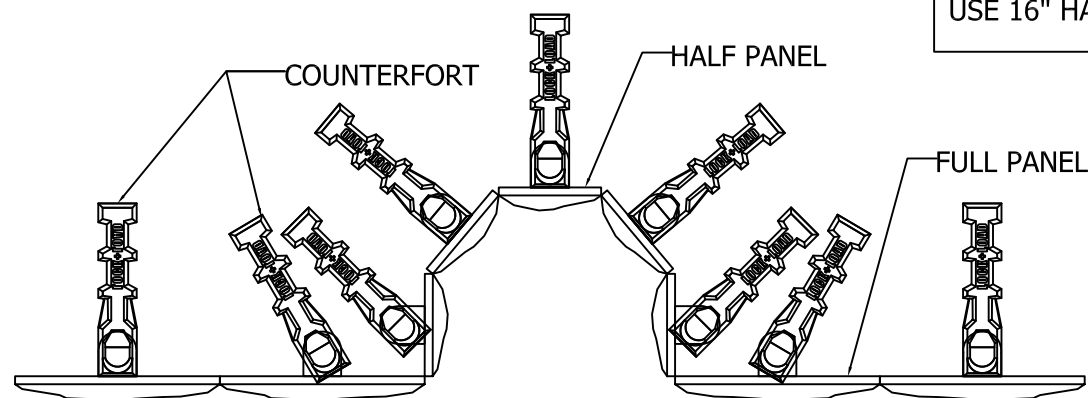
LOCK+LOAD™
 RETAINING WALL SYSTEMS
 1681 CHESTNUT STREET, SUITE 400, VANCOUVER, B.C. V6J 4M6
 Tel:(604) 732-9990 Toll Free: 1-877-301-9998 Fax: (604) 737-1140
 Web site: www.lock-load.com

DRAWING NAME	FULL PANEL RADIUS	
PROJECT NAME	TYPICAL DETAILS	
LOCATION		
CITY	COUNTRY	
DRAWN BY	KJA	DATE 01/06/12
APPROVED BY	RC/DA	PREPARED
SCALE	N.T.S.	FOR
OUR PROJECT NUMBER		OUR DRAWING NUMBER
CUSTOMER DRAWING		LL-WSDOT-4A-FP RADIUS



PLAN VIEW OUTSIDE RADIUS

LIMITATIONS
 LESS THAN 8' RADIUS (INSIDE OR OUTSIDE)
 USE 16" HALF PANEL

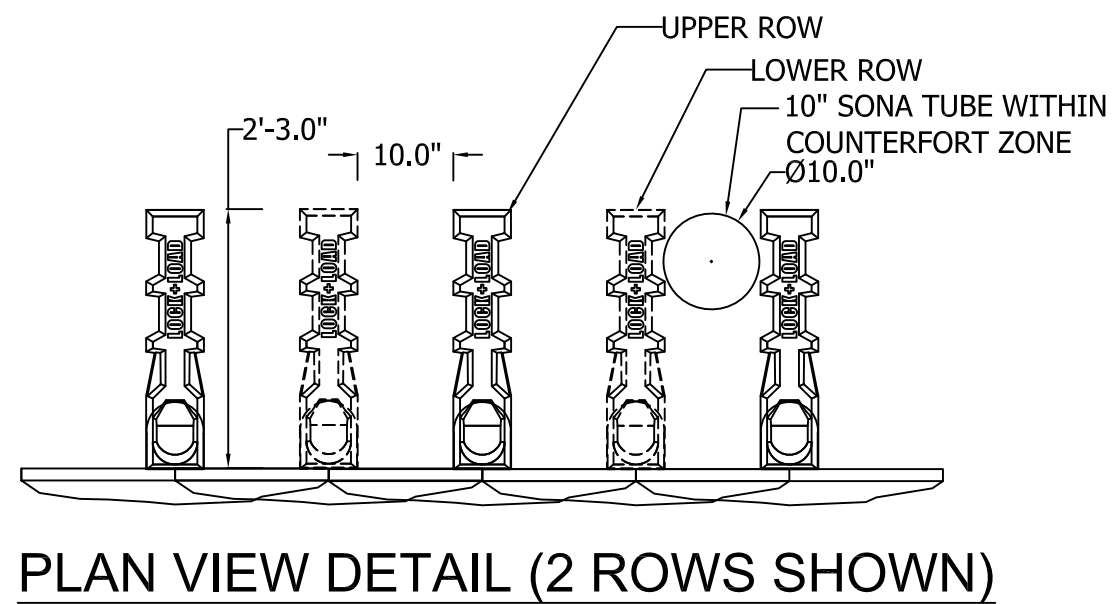
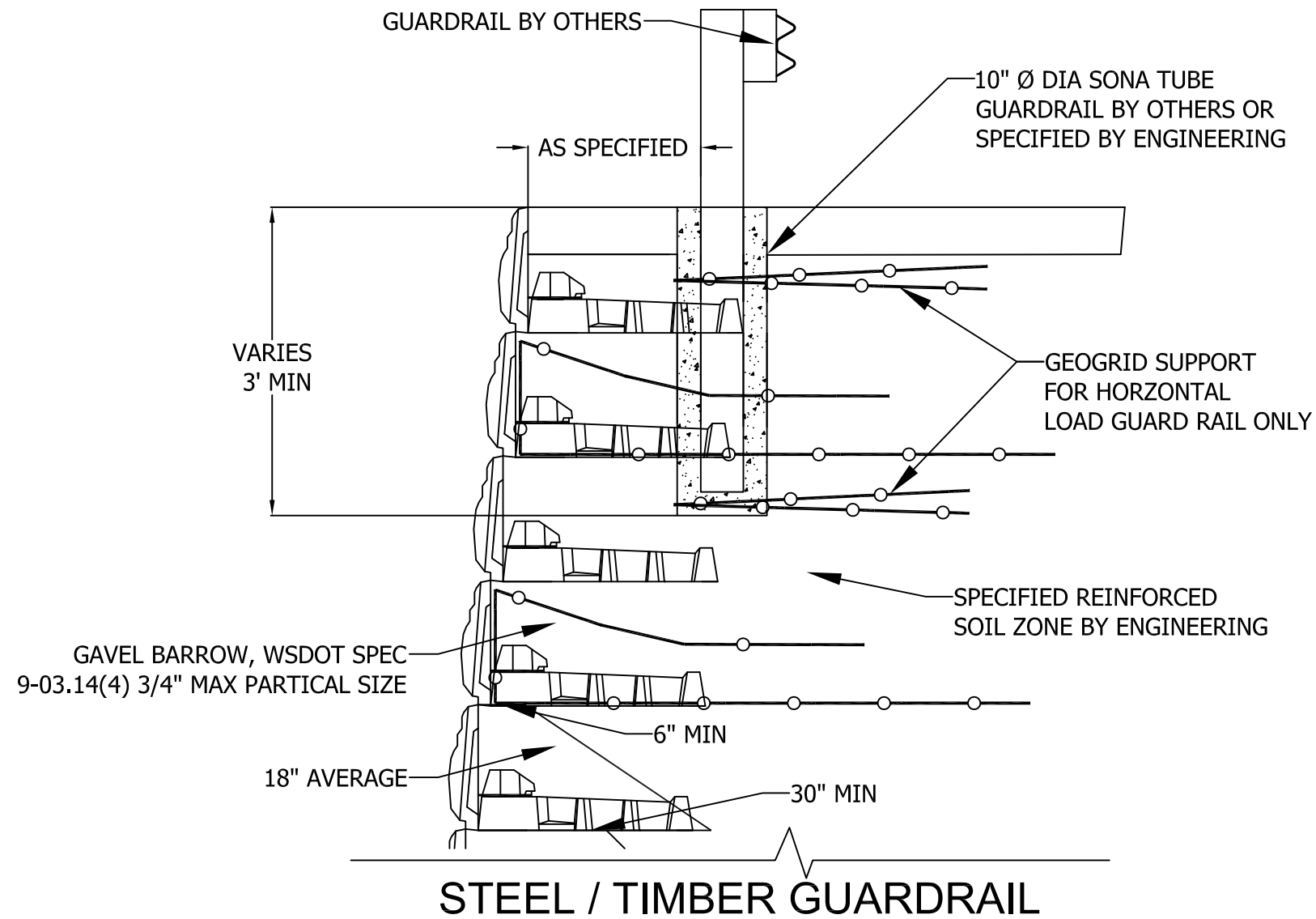


PLAN VIEW INSIDE RADIUS

REV #	DESCRIPTION	DATE

LOCK+LOAD™
 RETAINING WALL SYSTEMS
 1681 CHESTNUT STREET, SUITE 400, VANCOUVER, B.C. V6J 4M6
 Tel:(604) 732-9990 Toll Free: 1-877-301-9998 Fax: (604) 737-1140
 Web site: www.lock-load.com

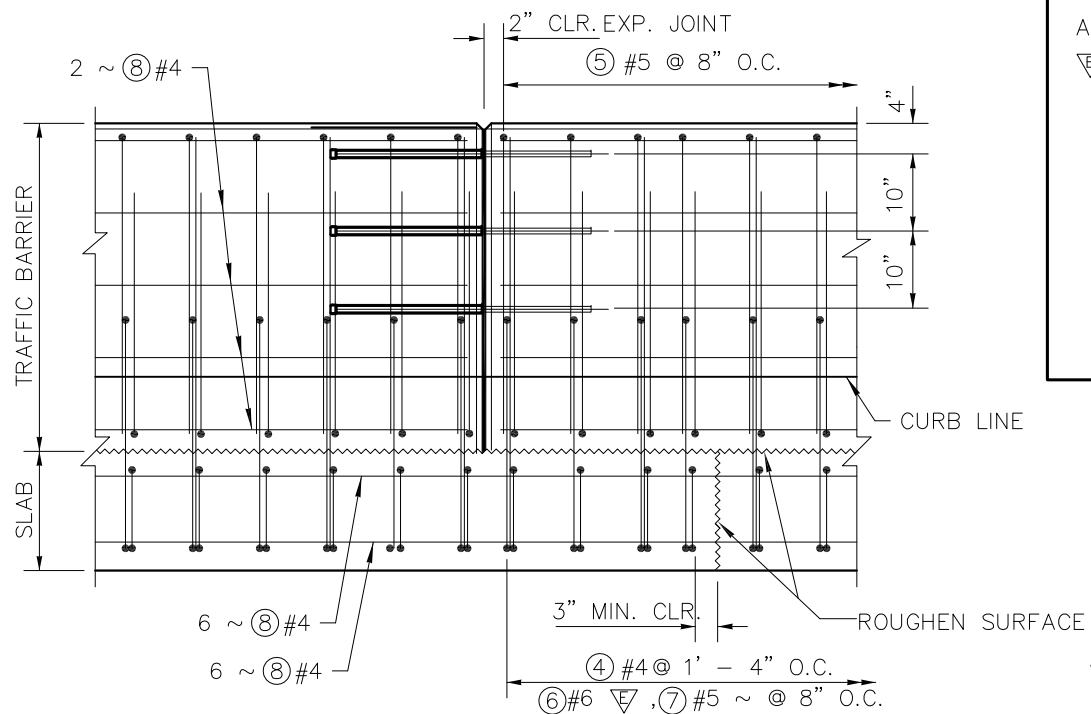
DRAWING NAME: HALF PANEL RADIUS	
PROJECT NAME: TYPICAL DETAILS	
LOCATION:	
CITY: COUNTRY:	
DRAWN BY: KJA	DATE: 01/06/12
APPROVED BY: RC/DA	PREPARED FOR:
SCALE: N.T.S.	FOR:
OUR PROJECT NUMBER:	OUR DRAWING NUMBER:
CUSTOMER DRAWING:	LL-WSDOT-4B-HP RADIUS



REV #	DESCRIPTION	DATE

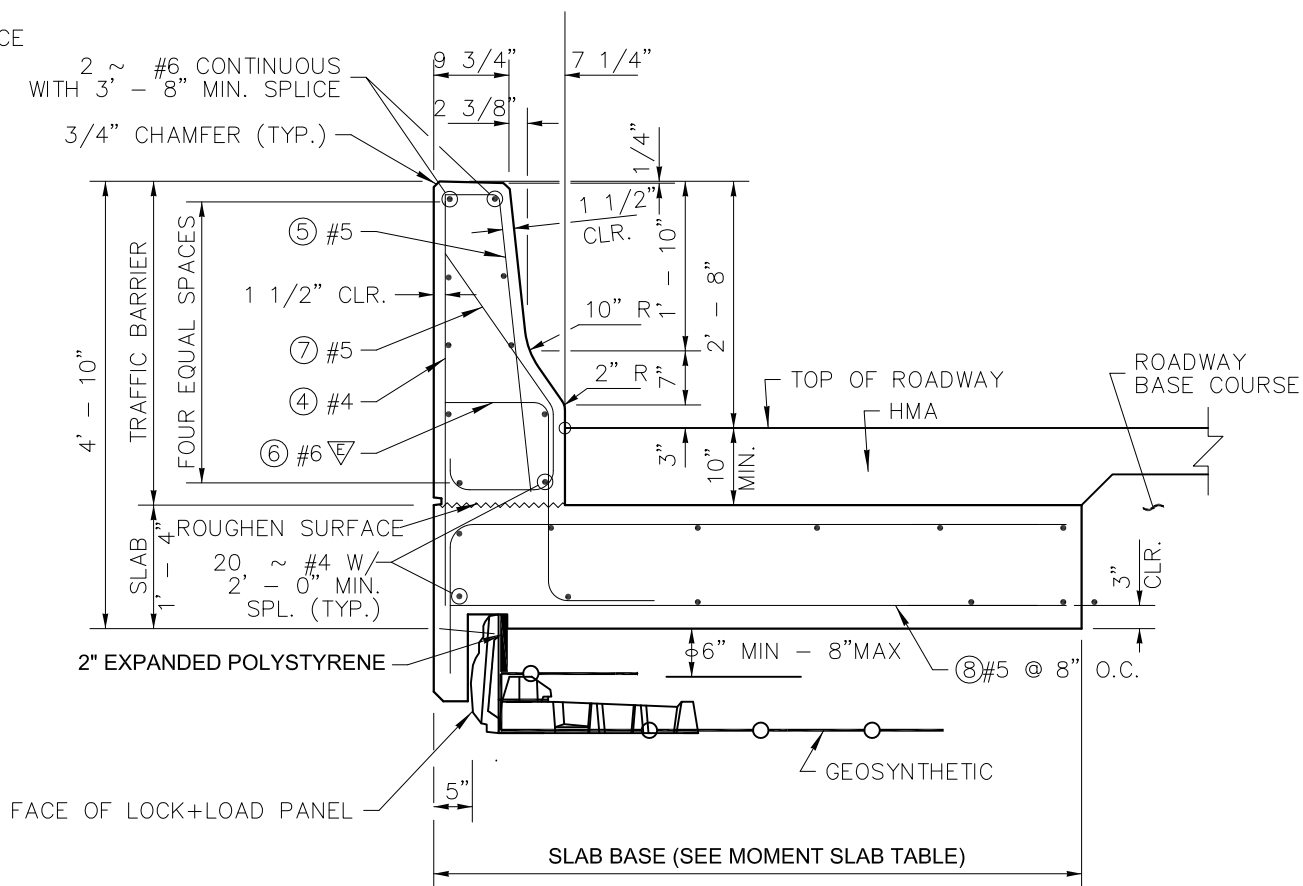
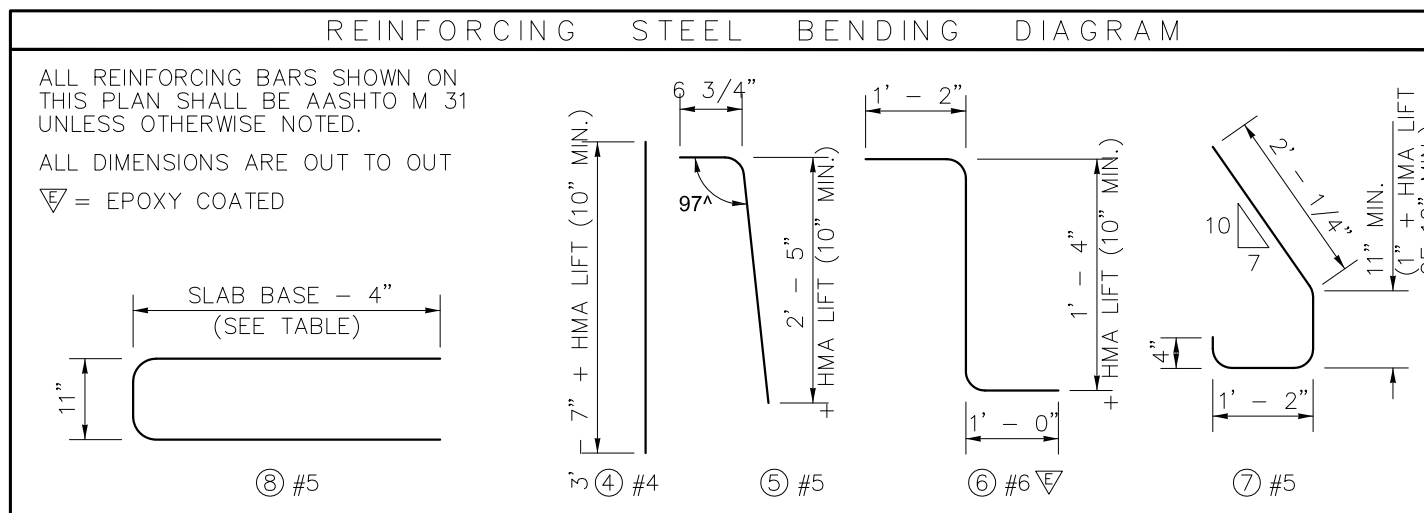
LOCK+LOAD™
 RETAINING WALL SYSTEMS
 1681 CHESTNUT STREET, SUITE 400, VANCOUVER, B.C. V6J 4M6
 Tel:(604) 732-9990 Toll Free: 1-877-301-9998 Fax: (604) 737-1140
 Web site: www.lock-load.com

DRAWING NAME	GUARD RAIL DETAIL	
PROJECT NAME	TYPICAL DETAILS	
LOCATION		
CITY	COUNTRY	
DRAWN BY	KJA	DATE 01/06/12
APPROVED BY	RC/DA	PREPARED FOR
SCALE	N.T.S.	
OUR PROJECT NUMBER		OUR DRAWING NUMBER
CUSTOMER DRAWING		LL-WSDOT-5A-GUARD RAIL



ELEVATION

SLAB LENGTH		SLAB BASE		BARRIER EXPANSION JOINT SPACING	
MIN.	MAX.	ON WALL	AT GRADE	MIN.	MAX.
80' - 1"	-	7' - 0"	5' - 0"	80' - 0"	120' - 0"
60' - 1"	80' - 0"	8' - 0"	6' - 0"	60' - 0"	80' - 0"
40' - 1"	60' - 0"	9' - 0"	7' - 0"	40' - 0"	60' - 0"
0	40' - 0"				



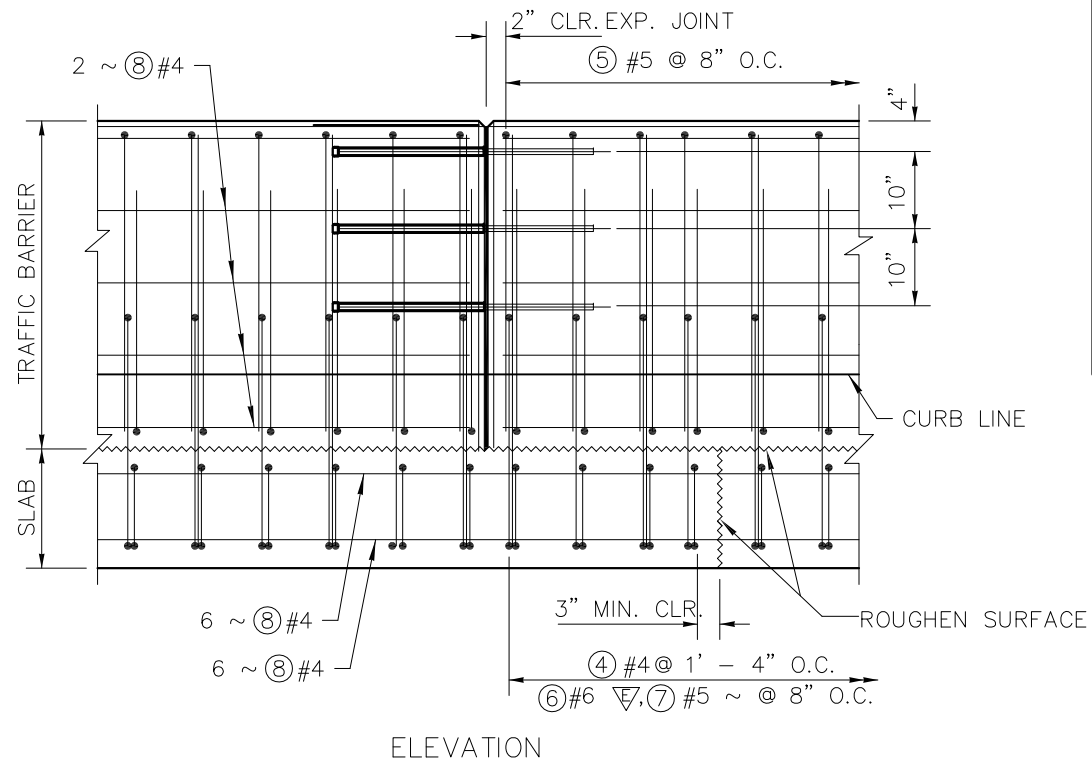
TYPICAL SECTION
SHOWN AT GRADE

OVERHANGING MOMENT SLAB BARRIER DETAIL "F" SHAPE BARRIER

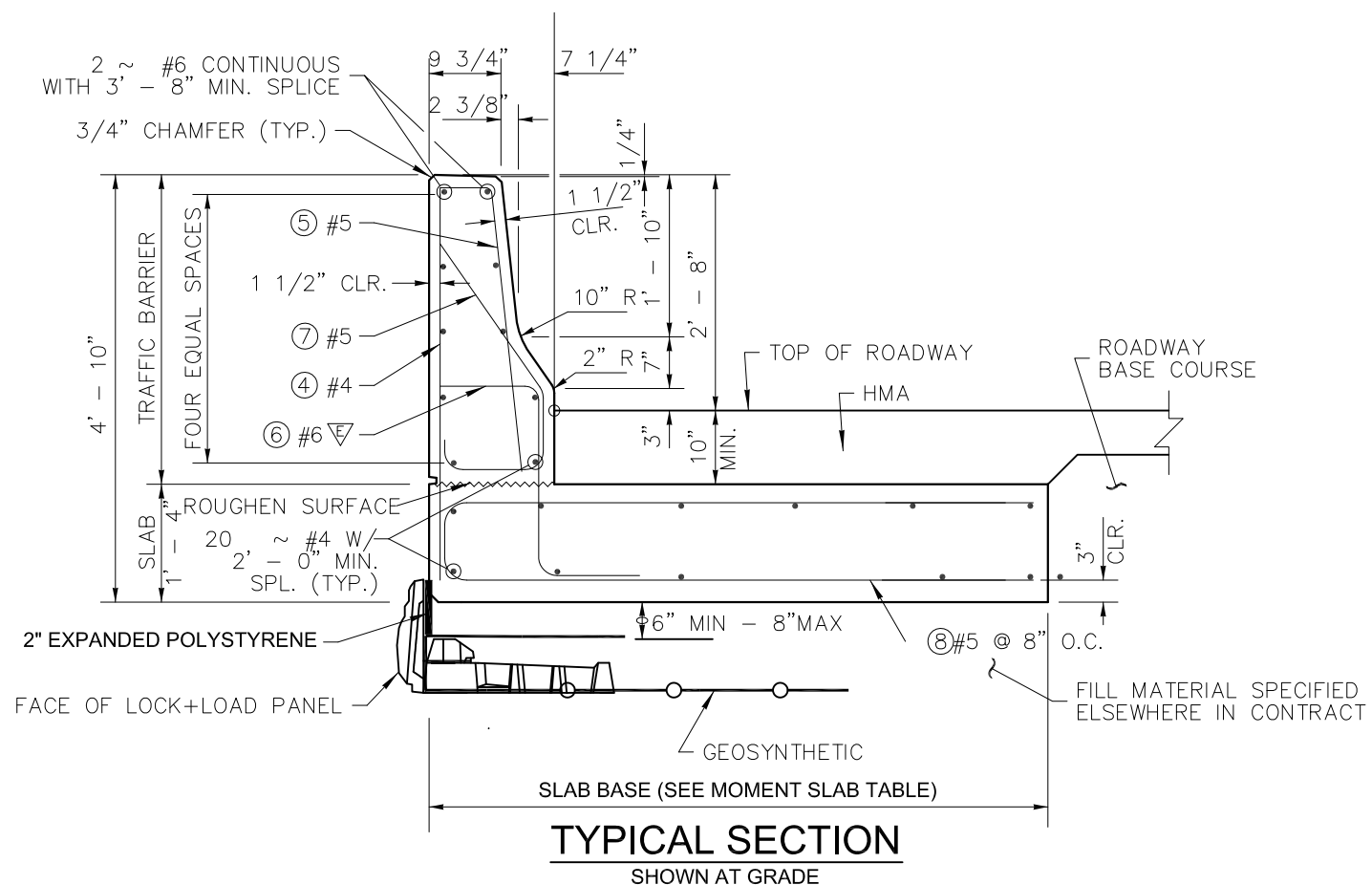
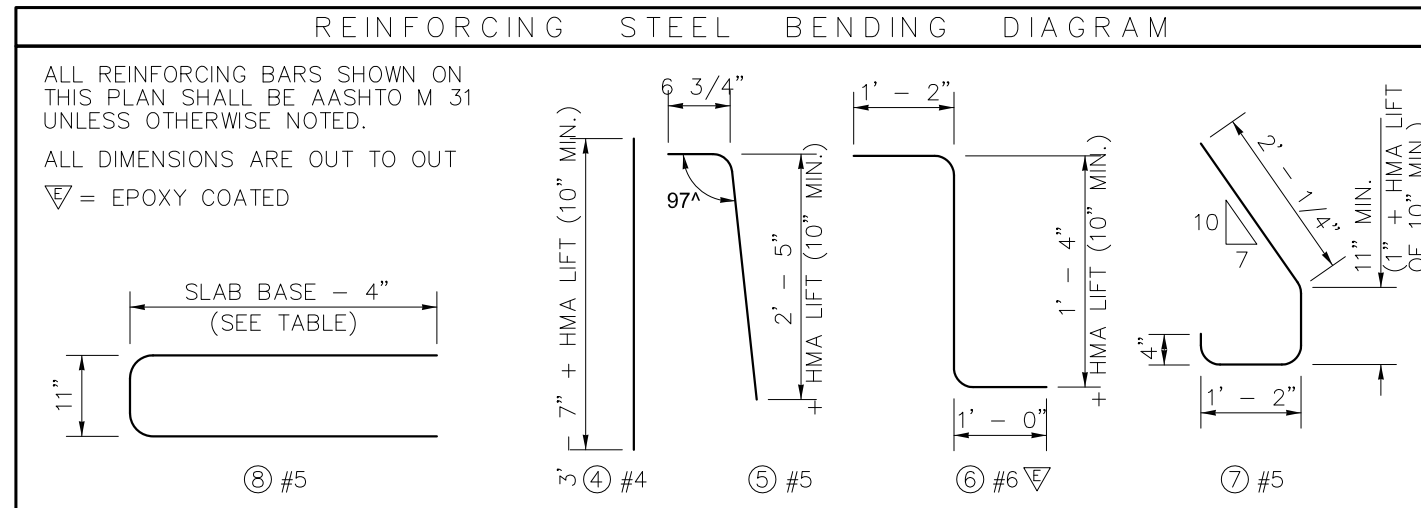
REV #	DESCRIPTION	DATE

LOCK+LOAD
RETAINING WALL SYSTEMS
1681 CHESTNUT STREET, SUITE 400, VANCOUVER, B.C. V6J 4M6
Tel: (604) 732-9990 Toll Free: 1-877-901-9998 Fax: (604) 737-1140
Web site: www.lock-load.com

DRAWING NAME	PRECAST BARRIER COPING DETAIL
PROJECT NAME	TYPICAL DETAILS
LOCATION	
CITY	COUNTRY
DRAWN BY	KJA
DATE	01/06/12
APPROVED BY	RC/DA
SCALE	N.T.S.
OUR PROJECT NUMBER	OUR DRAWING NUMBER
CUSTOMER DRAWING	LL-WSDOT-5B-F STYLE BARRIER



SLAB LENGTH		SLAB BASE		BARRIER EXPANSION JOINT SPACING	
MIN.	MAX.	ON WALL	AT GRADE	MIN.	MAX.
80' - 1"	- -	7' - 0"	5' - 0"	80' - 0"	120' - 0"
60' - 1"	80' - 0"	8' - 0"	6' - 0"	60' - 0"	80' - 0"
40' - 1"	60' - 0"	9' - 0"	7' - 0"	40' - 0"	60' - 0"
0	40' - 0"				

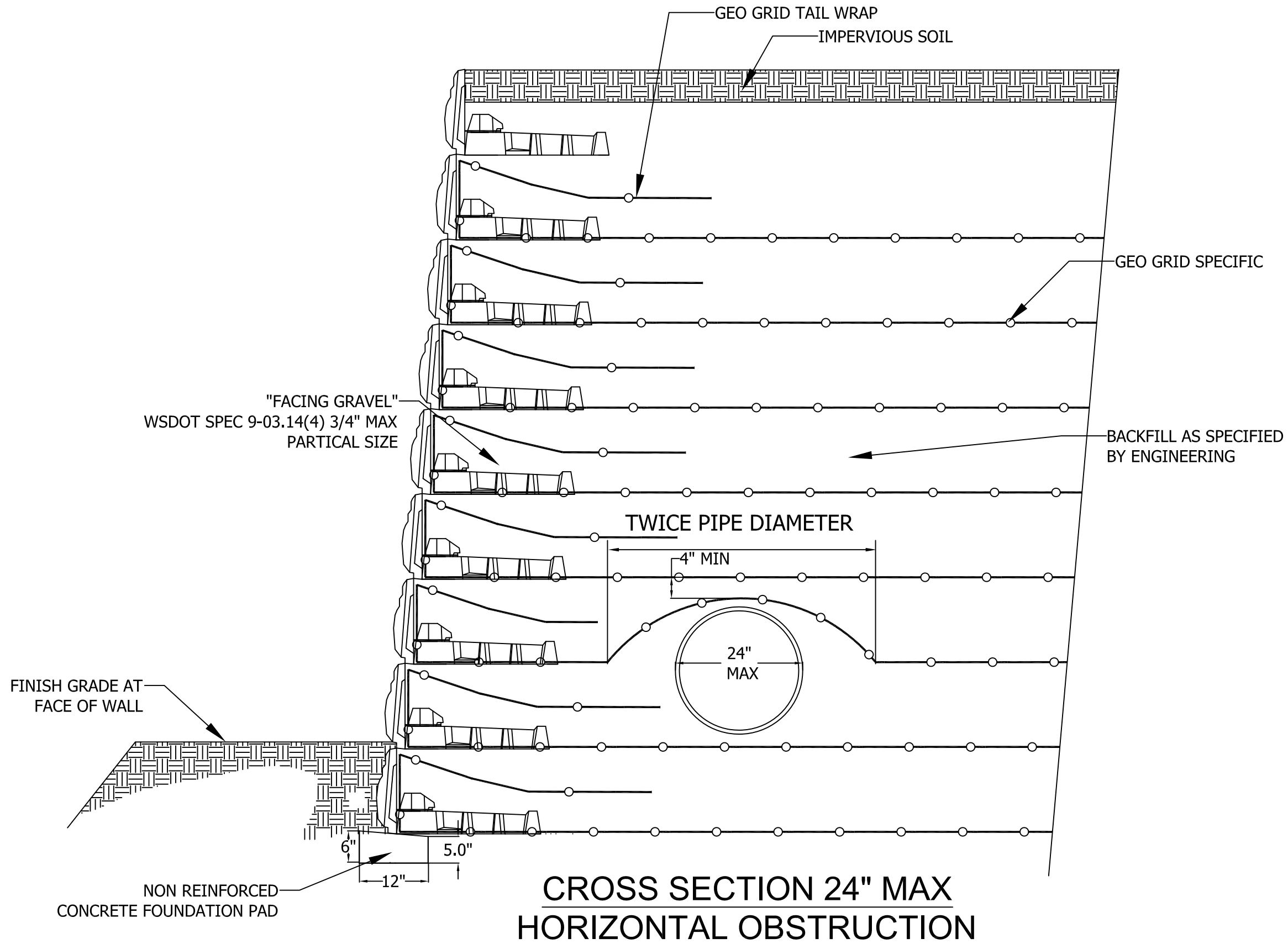


MOMENT SLAB BARRIER DETAIL- STANDARD "F" SHAPE BARRIER

REV #	DESCRIPTION	DATE
-------	-------------	------

LOCK+LOADTM
 RETAINING WALL SYSTEMS
 1681 CHESTNUT STREET, SUITE 400, VANCOUVER, B.C. V6J 4M6
 Tel: (604) 732-9990 Toll Free: 1-877-901-9998 Fax: (604) 737-1140
 Web site: www.lock-load.com

DRAWING NAME	TRAFFIC BARRIER DETAIL
PROJECT NAME	TYPICAL DETAILS
LOCATION	
CITY	COUNTRY
DRAWN BY	KJA
DATE	01/06/12
APPROVED BY	RC/DA
PREPARED FOR	FOR
SCALE	N.T.S.
OUR PROJECT NUMBER	OUR DRAWING NUMBER
CUSTOMER DRAWING	LL-WSDOT-5C-F STYLE BARRIER



"FACING GRAVEL"
WSDOT SPEC 9-03.14(4) 3/4" MAX
PARTICAL SIZE

FINISH GRADE AT
FACE OF WALL

NON REINFORCED
CONCRETE FOUNDATION PAD

NOTE:
CONCRETE FOOTING MINIMUM COMPRESSIVE STRENGTH AFTER 28 DAYS 3000 PSI

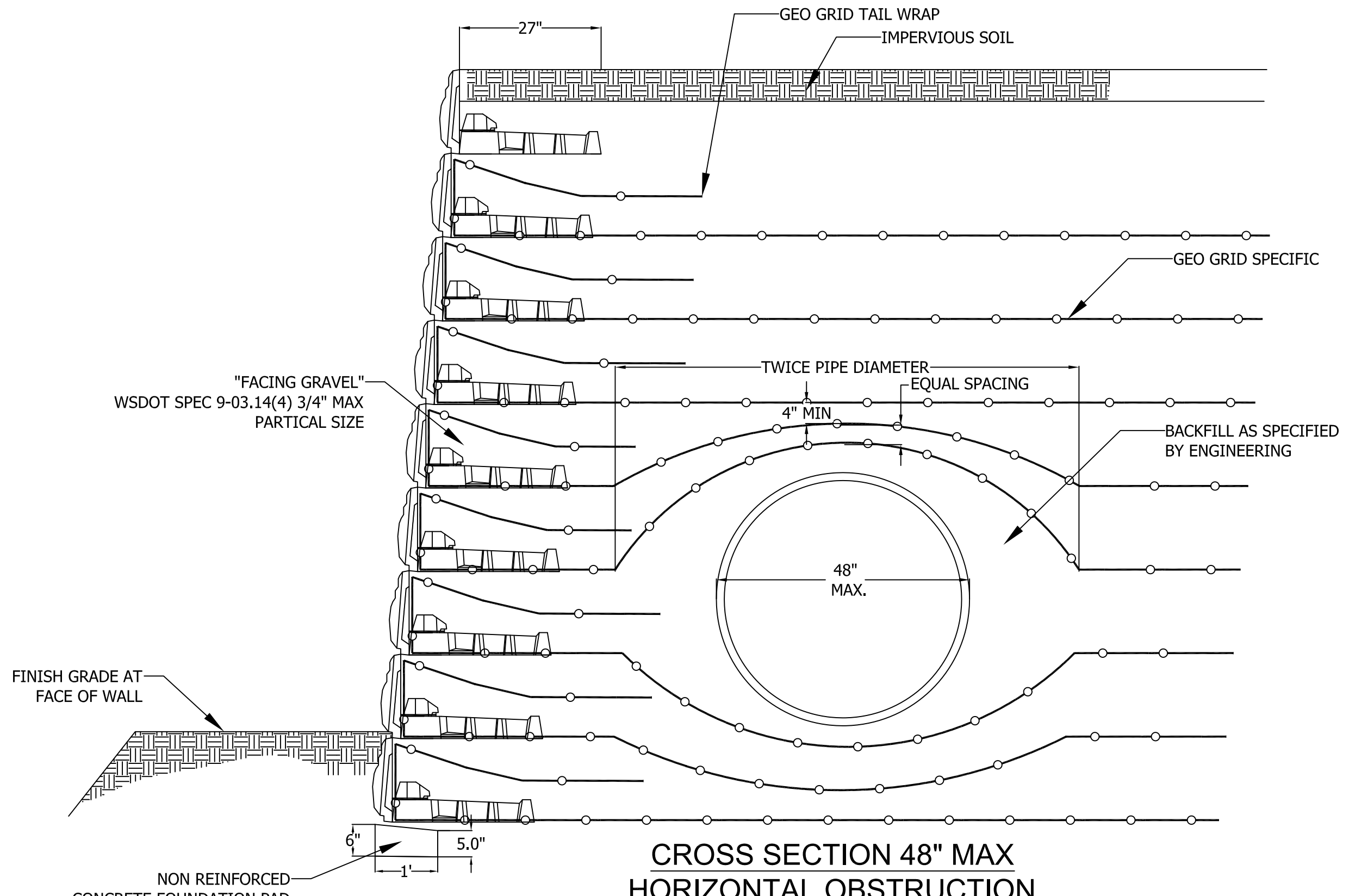
CROSS SECTION 24" MAX HORIZONTAL OBSTRUCTION

REV #	DESCRIPTION	DATE

LOCK+LOADTM
RETAINING WALL SYSTEMS

1681 CHESTNUT STREET, SUITE 400, VANCOUVER, B.C. V6J 4M6
Tel: (604) 732-9990 Toll Free: 1-877-301-9998 Fax: (604) 737-1140
Web site: www.lock-load.com

DRAWING NAME	24" MAX HORIZONTAL OBSTRUCTION	
PROJECT NAME	TYPICAL DETAILS	
LOCATION		
CITY	COUNTRY	
DRAWN BY	KJA	DATE 01/06/12
APPROVED BY	RC/DA	PREPARED FOR
SCALE	N.T.S.	FOR
OUR PROJECT NUMBER		OUR DRAWING NUMBER
CUSTOMER DRAWING		LL-WSDOT-6A-24 HORZ OBSTRUCTION



**CROSS SECTION 48" MAX
HORIZONTAL OBSTRUCTION**

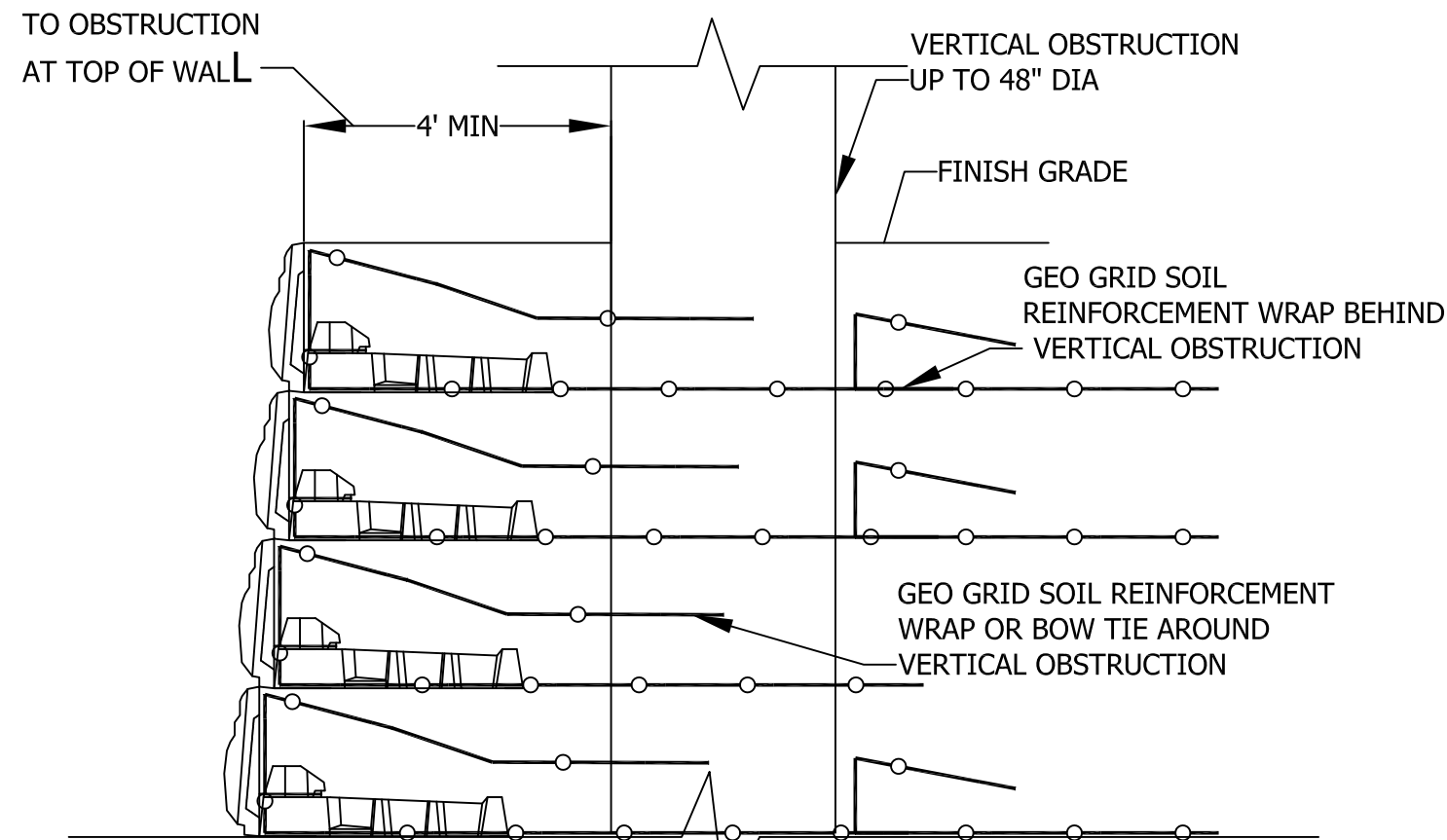
NOTE:
CONCRETE FOOTING MINIMUM COMPRESSIVE STRENGTH AFTER 28 DAYS 3000 PSI

REV #	DESCRIPTION	DATE
-------	-------------	------

LOCK+LOADTM
RETAINING WALL SYSTEMS

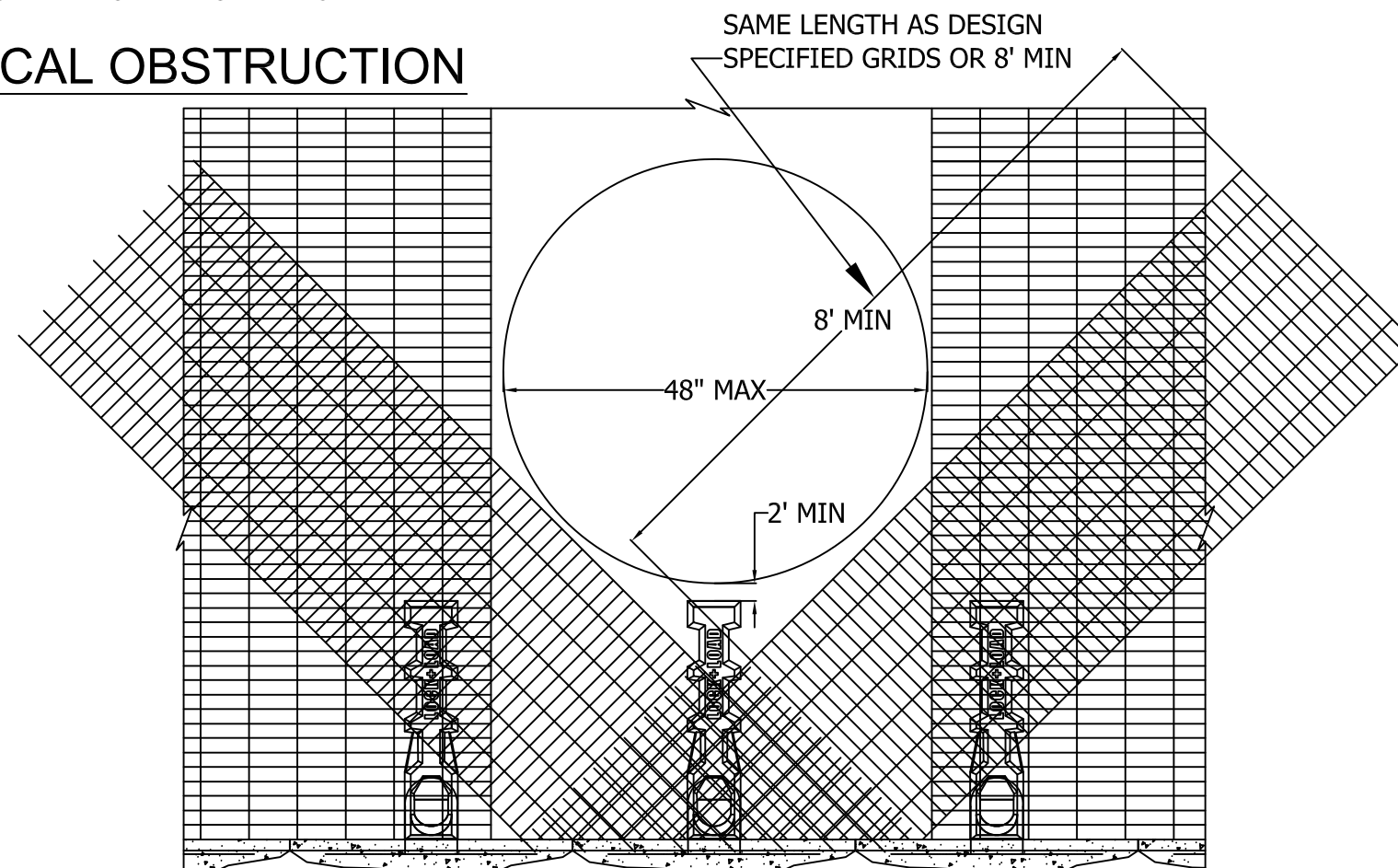
1681 CHESTNUT STREET, SUITE 400, VANCOUVER, B.C. V6J 4M6
Tel: (604) 732-9990 Toll Free: 1-877-301-9998 Fax: (604) 737-1140
Web site: www.lock-load.com

DRAWING NAME	48" HORIZONTAL OBSTRUCTION	
PROJECT NAME	TYPICAL DETAILS	
LOCATION		
CITY	COUNTRY	
DRAWN BY	KJA	DATE 01/06/12
APPROVED BY	RC/DA	PREPARED FOR
SCALE	N.T.S.	FOR
OUR PROJECT NUMBER		OUR DRAWING NUMBER
CUSTOMER DRAWING		LL-WSDOT-6B-48 HORIZ OBSTRUCTION



SECTION OF VERTICAL OBSTRUCTION

NOTE:
 DRAWING 7 SERIES IS FOR A VERTICAL OBSTRUCTION UP TO 48"Ø GREATER THAN 4' FEET FROM WALL FACE BUT STILL WITHIN REINFORCED SOIL ZONE.
 DRAWING 7 A/B ARE VERTICAL OBSTRUCTIONS CLOSER THAN 4' FEET FROM FACE OF WALL.

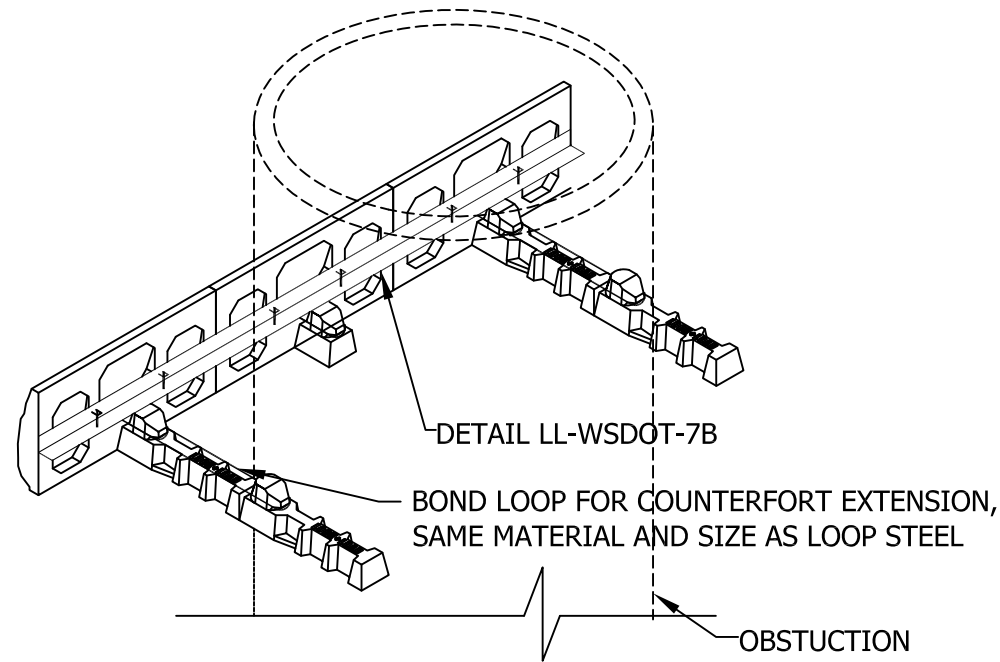


GEO GRID PLACEMENT AT VERTICAL OBSTRUCTION

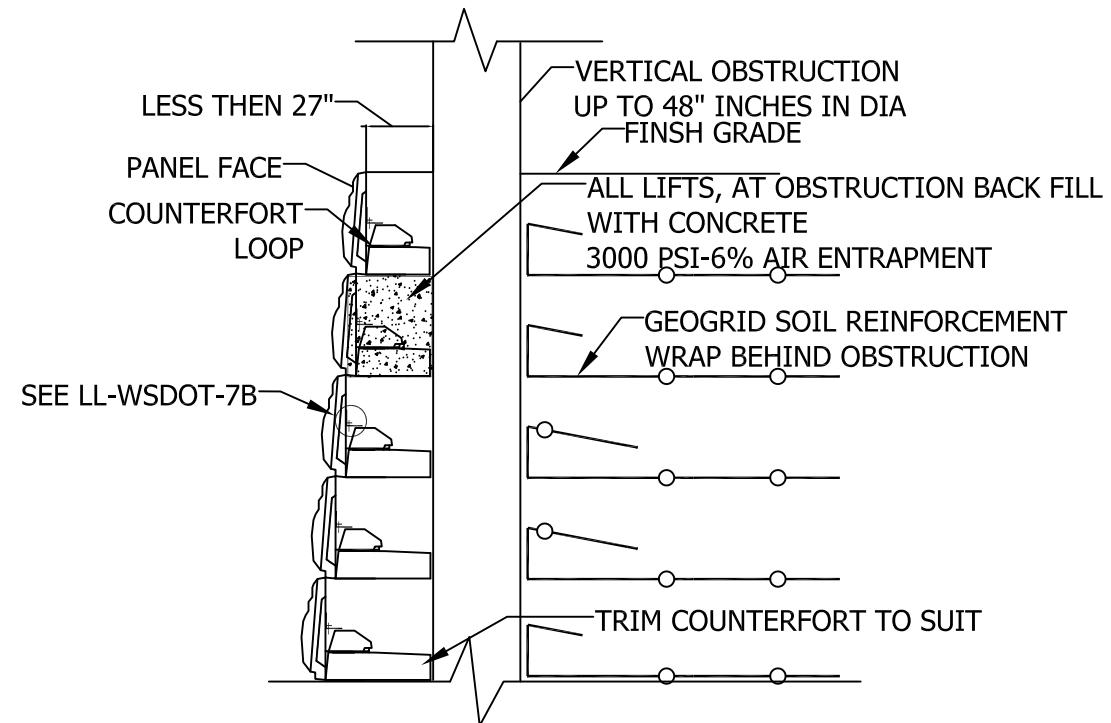
REV #	DESCRIPTION	DATE

LOCK+LOADTM
 RETAINING WALL SYSTEMS
 1681 CHESTNUT STREET, SUITE 400, VANCOUVER, B.C. V6J 4M6
 Tel:(604) 732-9990 Toll Free: 1-877-301-9998 Fax: (604) 737-1140
 Web site: www.lock-load.com

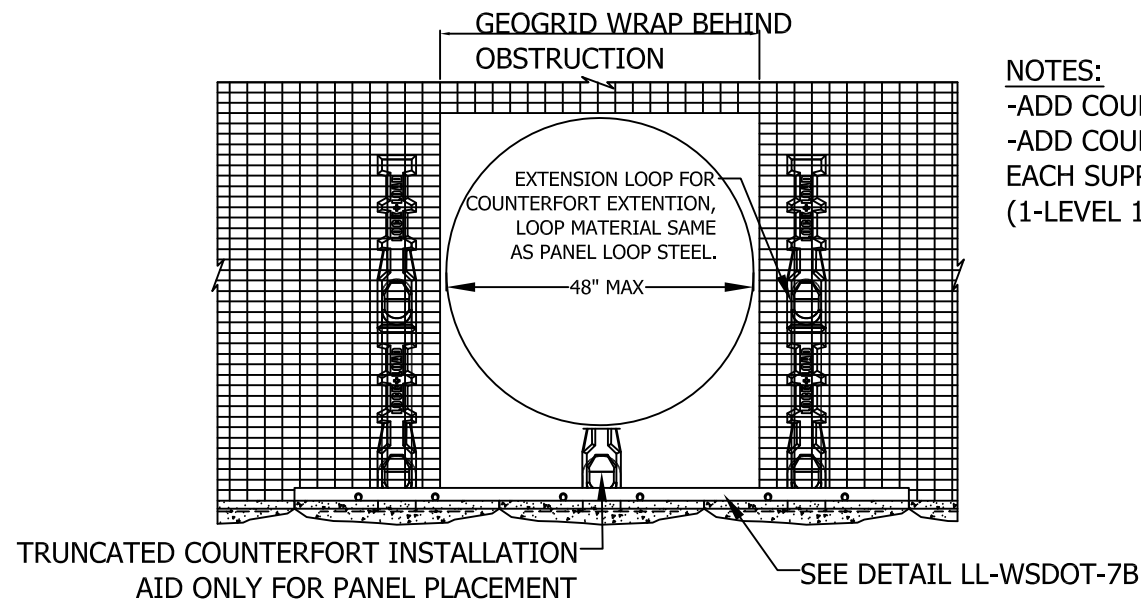
DRAWING NAME	VERTICAL OBSTRUCTION DETAIL
PROJECT NAME	TYPICAL DETAILS
LOCATION	
CITY	COUNTRY
DRAWN BY	KJA
DATE	01/06/12
APPROVED BY	RC/DA
SCALE	N.T.S.
OUR PROJECT NUMBER	OUR DRAWING NUMBER
CUSTOMER DRAWING	LL-WSDOT-7-VERTICAL OBSTRUCTION



ISOMETRIC VIEW



SECTION THRU OBSTRUCTION



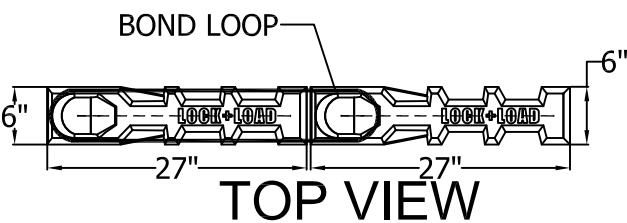
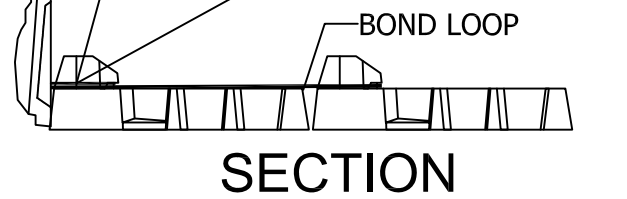
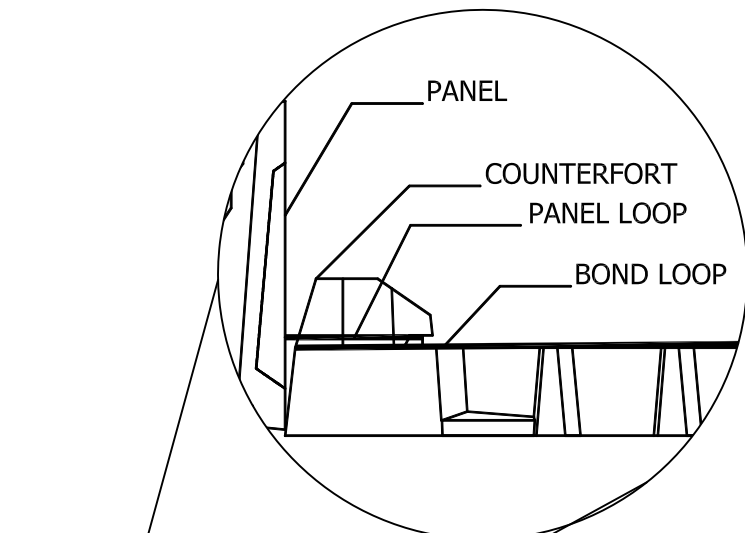
PANEL VIEW

NOTES:
 -ADD COUNTERFORTS AS SPECIFIED
 -ADD COUNTERFORT EACH SIDE FOR EACH SUPPORTED PANEL
 (1-LEVEL 1, 2-LEVEL 2,....)

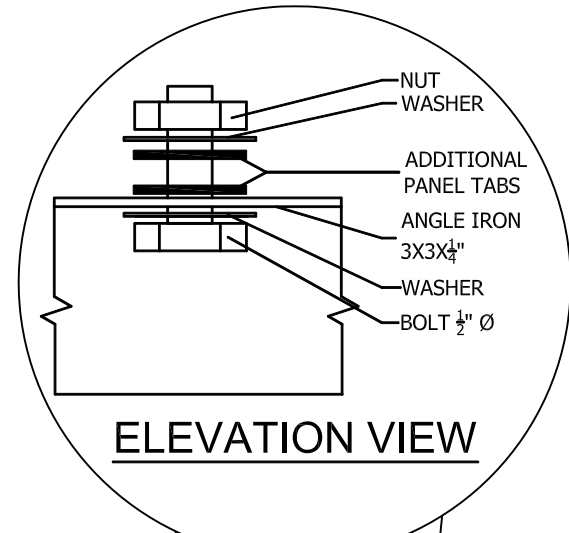
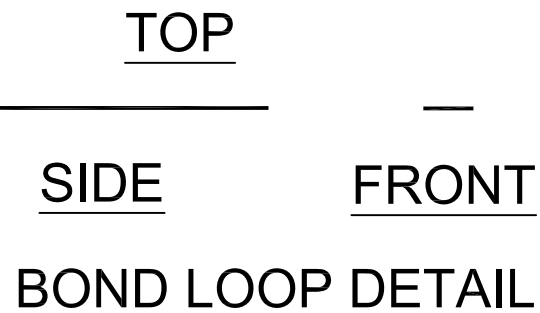
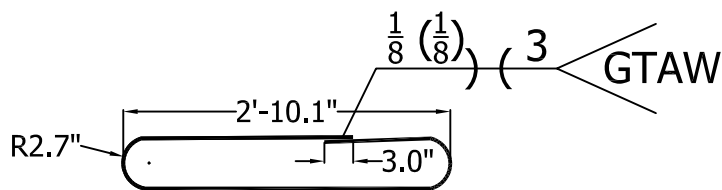
REV #	DESCRIPTION	DATE

LOCK+LOADTM
 RETAINING WALL SYSTEMS
 1681 CHESTNUT STREET, SUITE 400, VANCOUVER, B.C. V6J 4M6
 Tel:(604) 732-9990 Toll Free: 1-877-301-9998 Fax: (604) 737-1140
 Web site: www.lock-load.com

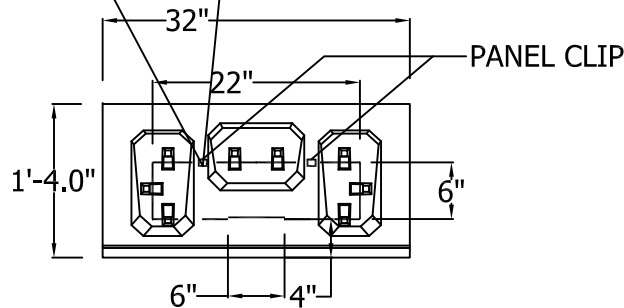
DRAWING NAME: VERTICAL OBSTRUCTION DETAIL
 PROJECT NAME: TYPICAL DETAILS
 LOCATION:
 CITY: COUNTRY:
 DRAWN BY: KJA DATE: 01/06/12
 APPROVED BY: RC/DA PREPARED FOR:
 SCALE: N.T.S. FOR:
 OUR PROJECT NUMBER: OUR DRAWING NUMBER:
 CUSTOMER DRAWING: LL-WSDOT-7A-VERTICAL OBSTRUCTION



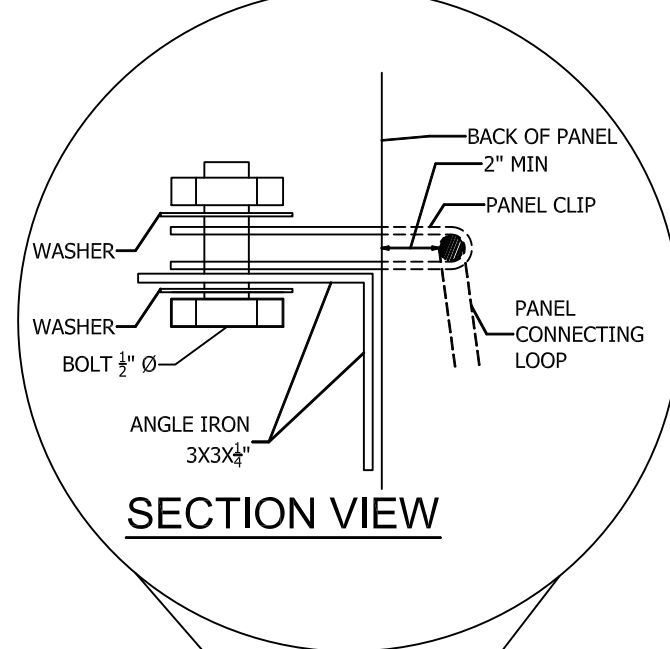
NOTE:
MATERIAL IS 1/4" DIA. T304 STAINLESS STEEL WIRE ASTM A580
ALL DIMENSIONS OUTSIDE TO OUTSIDE INCLUDING RADIUS



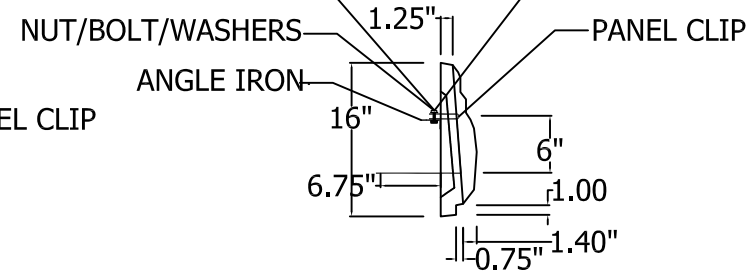
ELEVATION VIEW



NOTE:
MATERIAL IS 1/4" DIA. T304 STAINLESS STEEL WIRE ASTM A580
ALL DIMENSIONS OUTSIDE TO OUTSIDE INCLUDING RADIUS
ANGLE IRON, WASHERS, NUTS, BOLTS ARE ALL STAINLESS STEEL T304 ASTM
DETAIL FOR SPECIAL PANELS ONLY AROUND VERTICAL OBSTRUCTION

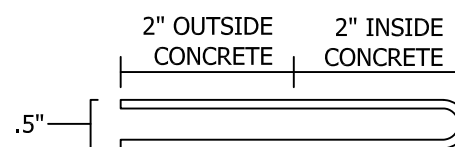


SECTION VIEW

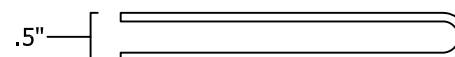


ELEVATION VIEW

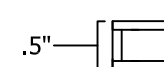
ASTM CODES:
A276 - 10 - ANGLE IRON
F593 - BOLTS
F594 - NUTS
A276 - WASHERS



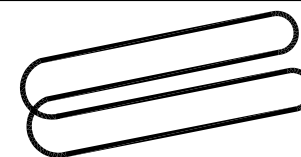
TOP VIEW



SIDE VIEW



FRONT VIEW



PICTORIAL

PANEL CLIP DETAIL

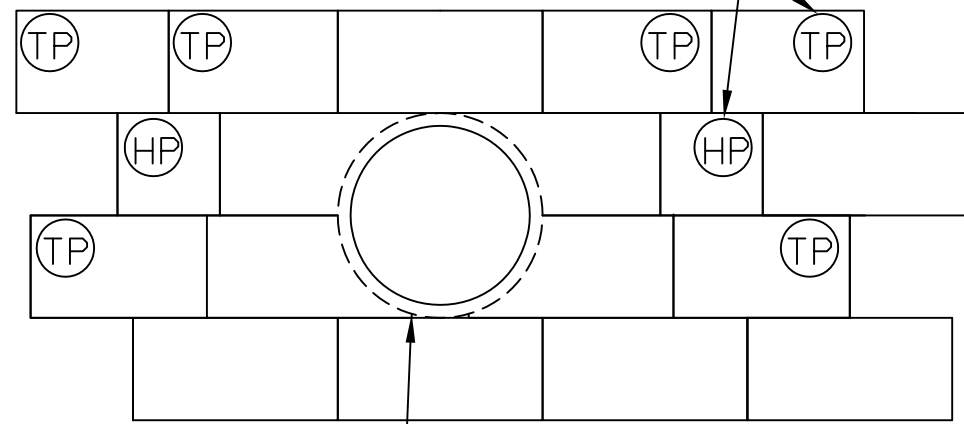
NOTE:
MATERIAL IS 1/4" DIA. T304 STAINLESS STEEL WIRE ASTM A 580
ALL DIMENSIONS OUTSIDE TO OUTSIDE INCLUDING RADIUS

REV #	DESCRIPTION	DATE

LOCK+LOADTM
RETAINING WALL SYSTEMS
1681 CHESTNUT STREET, SUITE 400, VANCOUVER, B.C. V6J 4M6
Tel: (604) 732-9990 Toll Free: 1-877-001-9998 Fax: (604) 737-1140
Web site: www.lock-load.com

DRAWING NAME: VERTICAL OBSTRUCTION DETAIL	
PROJECT NAME: TYPICAL DETAILS	
LOCATION:	
CITY: COUNTRY:	
DRAWN BY: KJA	DATE: 01/06/12
APPROVED BY: R. COGLAS	PREPARED FOR:
SCALE: N.T.S.	FOR:
OUR PROJECT NUMBER:	OUR DRAWING NUMBER:
CUSTOMER DRAWING:	LL-WSDOT-7B-VERTICAL OBSTRUCTION

USE TRIM PANELS OR HALF WIDE PANELS TO PICK UP RUNNING BOND
MINIMUM 3 PANELS OUT FROM PIPE



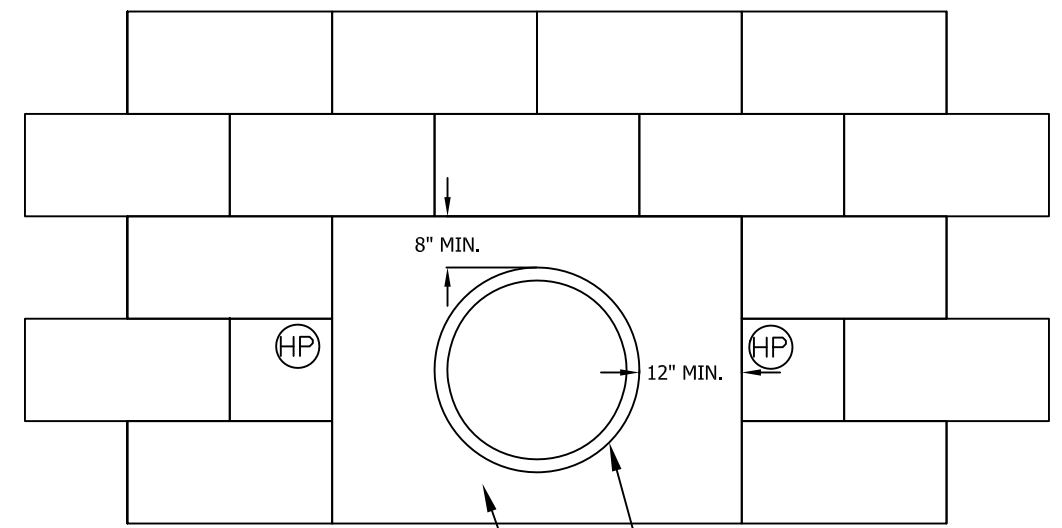
MAX PIPE DIA 24"

ELEVATION DETAIL FOR PIPE DIAMETERS 24" OR LESS

TP = TRIM PANEL HP = HALF PANEL

NOTE

- 1) TRIM PANELS TO FIT OUTSIDE DIAMETER OF PIPE
- 2) NO GEOSYNTHETIC SOIL REINFORCEMENT TO BE EXPOSED AROUND PIPE



6" THICK CAST IN PLACE CONCRETE HEAD WALL (F'C= 4000 PSI WITH MIN #4 REBAR AT 12" O.C EACH WAY) BY OTHERS

PIPE GREATER THEN 24" DIA

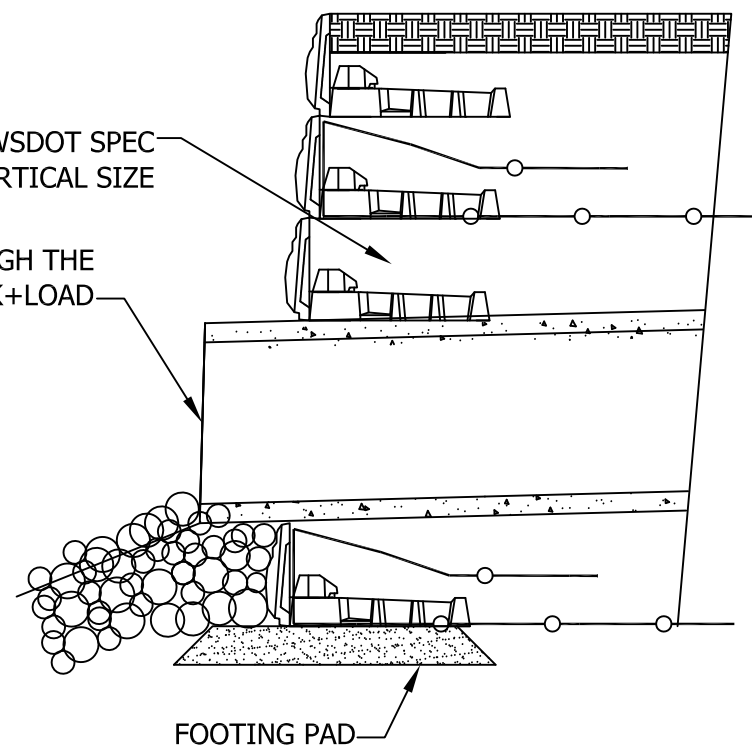
ELEVATION DETAIL FOR PIPE DIAMETERS GREATER THAN 24"

NOTE:

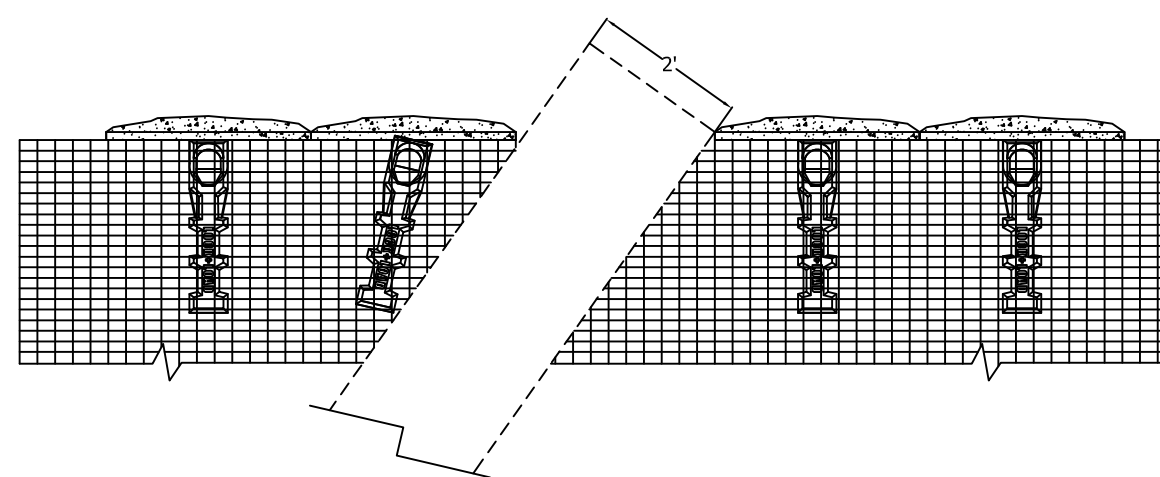
SPECIAL HEADWALL DESIGN IS REQUIRED FOR PIPE DIAMETERS GREATER THAN 5' FEET

FACING GRAVEL, WSDOT SPEC 9-03.14(4) 3/4" MAX PARTICAL SIZE

PIPE PENETRATION THROUGH THE FACE OF WALL USING LOCK+LOAD



24" PIPE PENATRATION CROSS SECTION AT WALL FACE



DETAIL FOR PIPE DIAMETERS 24" AT UP TO 45°

NOTE

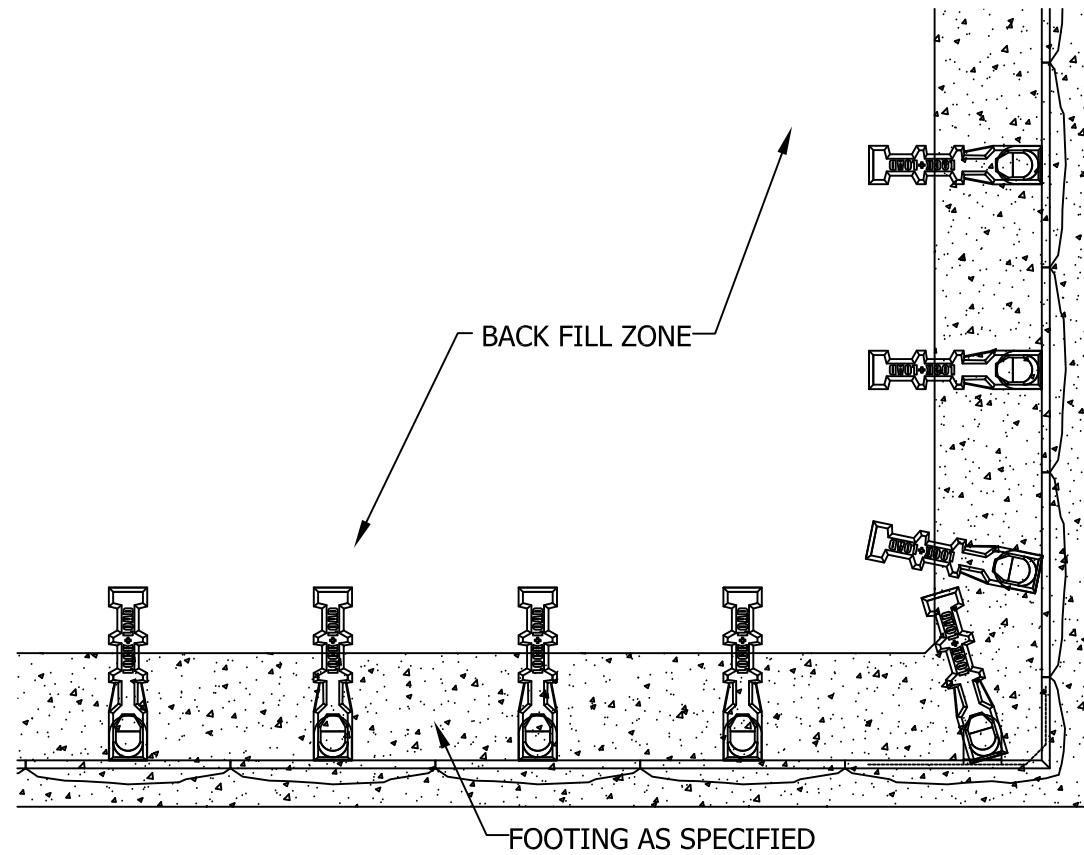
- 1) TRIM PANELS TO FIT OUTSIDE DIAMETER OF PIPE
- 2) NO GEOSYNTHETIC SOIL REINFORCEMENT TO BE EXPOSED AROUND PIPE

REV #	DESCRIPTION	DATE

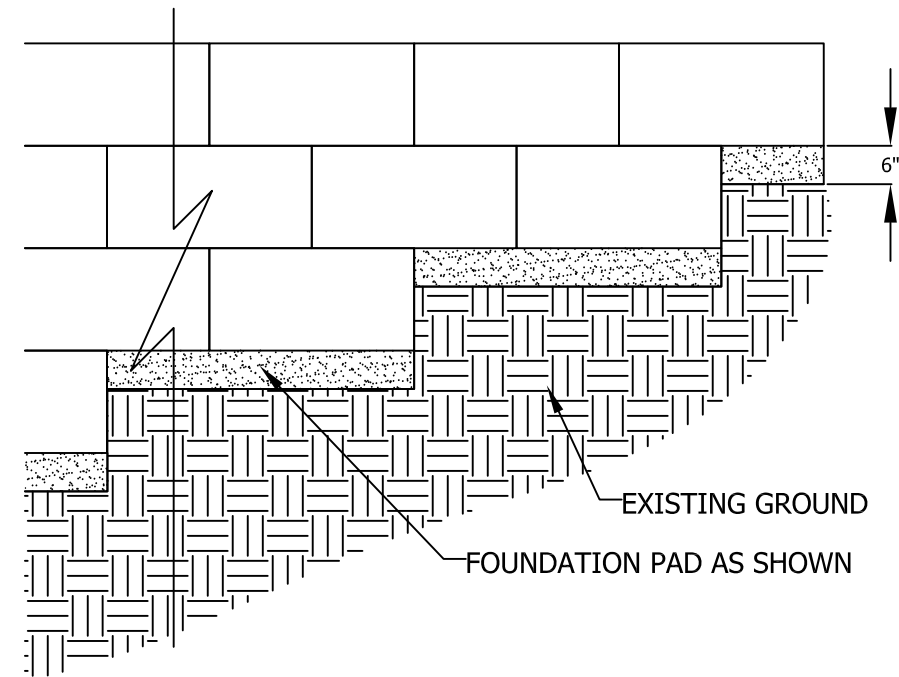
REV #	DESCRIPTION	DATE

LOCK+LOADTM
RETAINING WALL SYSTEMS
1681 CHESTNUT STREET, SUITE 400, VANCOUVER, B.C. V6J 4M6
Tel: (604) 732-9990 Toll Free: 1-877-901-9998 Fax: (604) 737-1140
Web site: www.lock-load.com

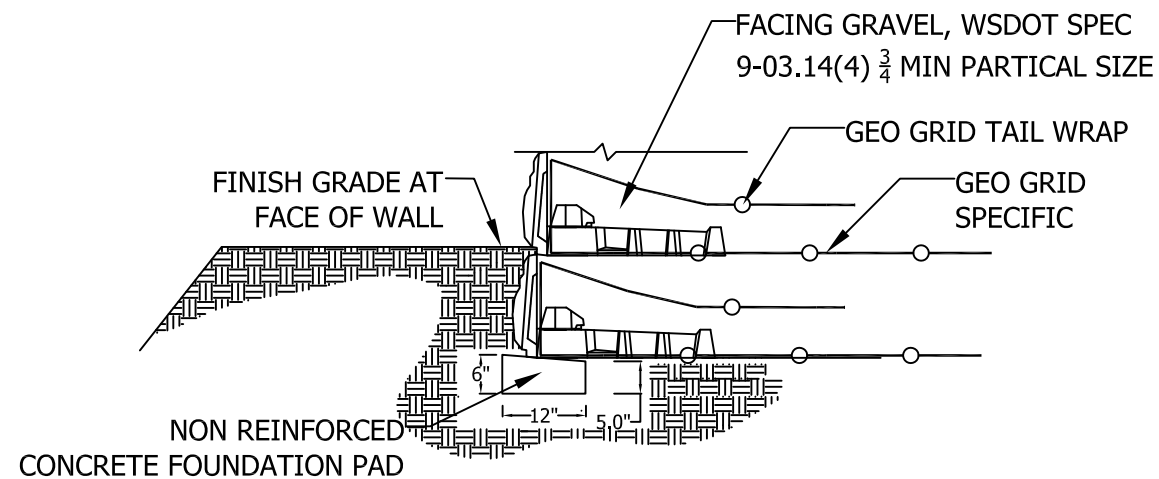
DRAWING NAME	24" HORIZONTAL PIPE
PROJECT NAME	TYPICAL DETAILS
LOCATION	
CITY	COUNTRY
DRAWN BY	KJA
DATE	01/06/12
APPROVED BY	RC/DA
SCALE	N.T.S.
OUR PROJECT NUMBER	OUR DRAWING NUMBER
CUSTOMER DRAWING	LL-WSDOT-8-24 PIPE OUTLET



PLAN VIEW FOUNDATION PAD CORNER



ELEVATION VIEW FOUNDATION STEPS



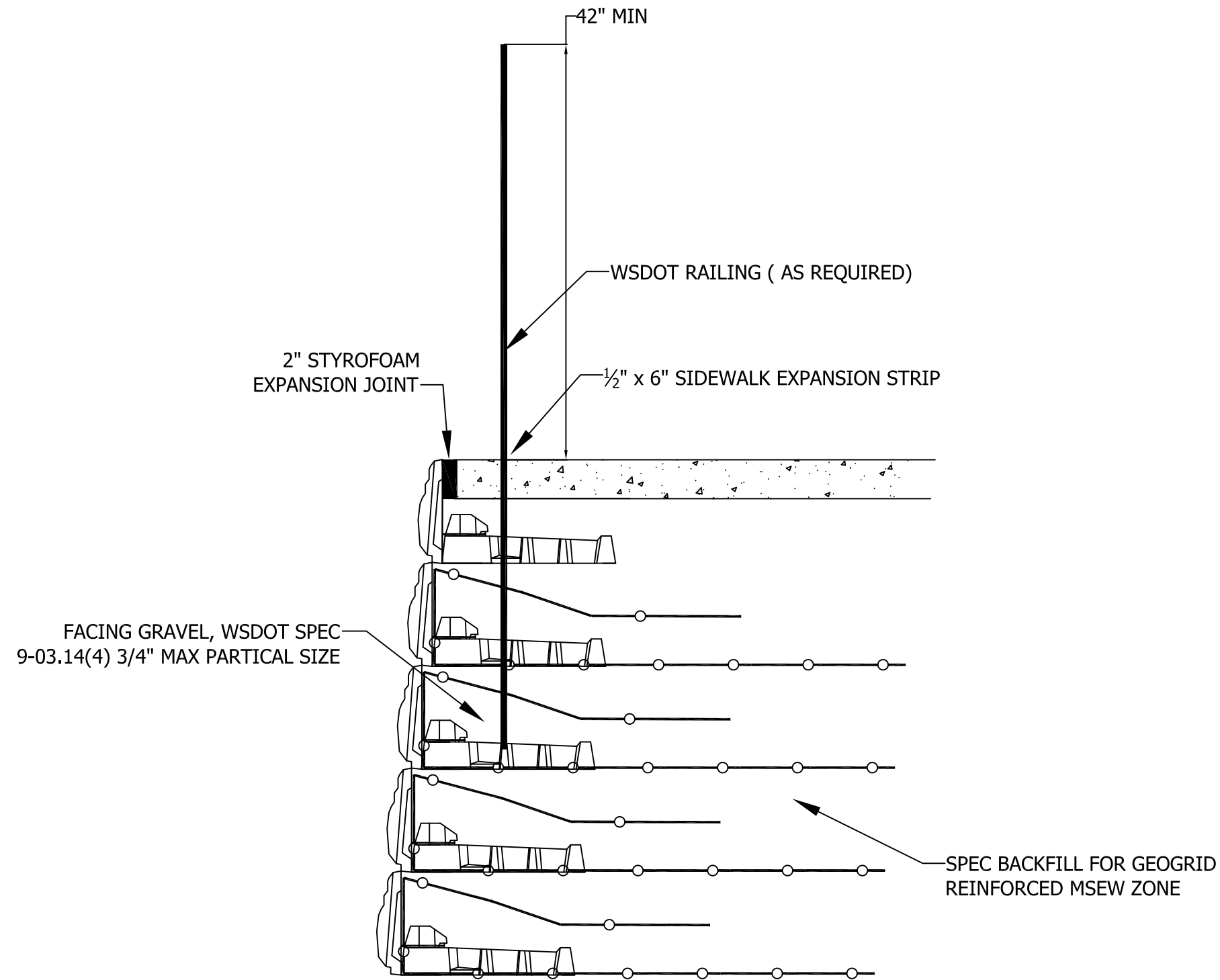
CROSS SECTION FOUNDATION PAD

NOTE:
 CONCRETE FOOTING MINIMUM COMPRESSIVE STRENGTH
 AFTER 28 DAYS 3000 PSI

REV #	DESCRIPTION	DATE

LOCK+LOAD™
 RETAINING WALL SYSTEMS
 1681 CHESTNUT STREET, SUITE 400, VANCOUVER, B.C. V6J 4M6
 Tel: (604) 732-9990 Toll Free: 1-877-901-9998 Fax: (604) 737-1140
 Web site: www.lock-load.com

DRAWING NAME	FOUNDATION PAD
PROJECT NAME	TYPICAL DETAILS
LOCATION	
CITY	COUNTRY
DRAWN BY	DATE
KJA	01/06/12
APPROVED BY	PREPARED
RC/DA	FOR
SCALE	N.T.S.
OUR PROJECT NUMBER	OUR DRAWING NUMBER
CUSTOMER DRAWING	LL-WSDOT-9-FOUNDATION PAD

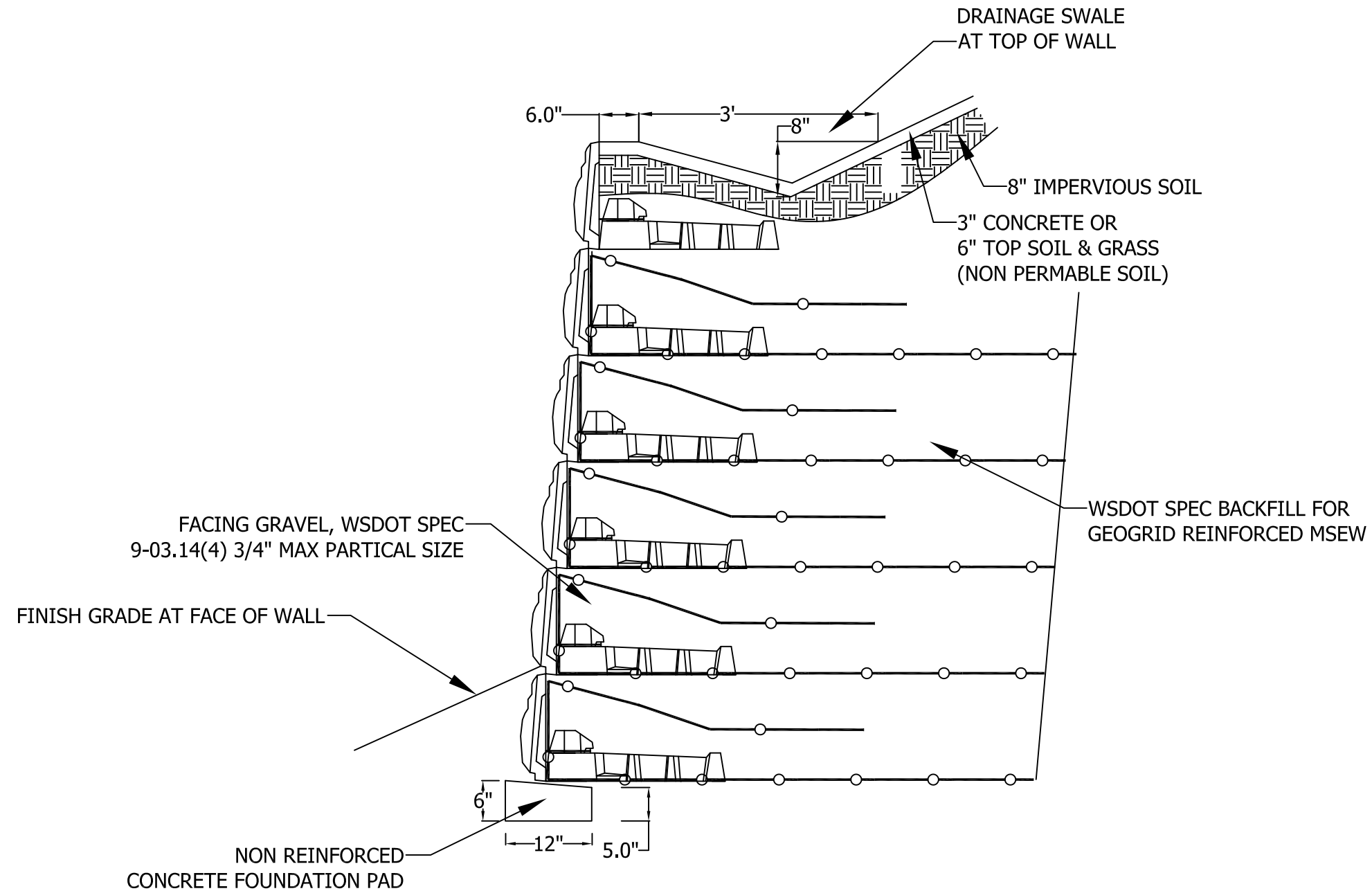


SIDEWALK DETAIL

REV #	DESCRIPTION	DATE

LOCK+LOADTM
 RETAINING WALL SYSTEMS
 1681 CHESTNUT STREET, SUITE 400, VANCOUVER, B.C. V6J 4M6
 Tel:(604) 732-9990 Toll Free: 1-877-301-9998 Fax: (604) 737-1140
 Web site: www.lock-load.com

DRAWING NAME: SIDEWALK COPING	
PROJECT NAME: TYPICAL DETAILS	
LOCATION:	
CITY: COUNTRY:	
DRAWN BY: KJA	DATE: 01/06/12
APPROVED BY: RC/DA	PREPARED FOR:
SCALE: N.T.S.	FOR:
OUR PROJECT NUMBER:	OUR DRAWING NUMBER:
CUSTOMER DRAWING:	LL-WSDOT-10A-SIDEWALK



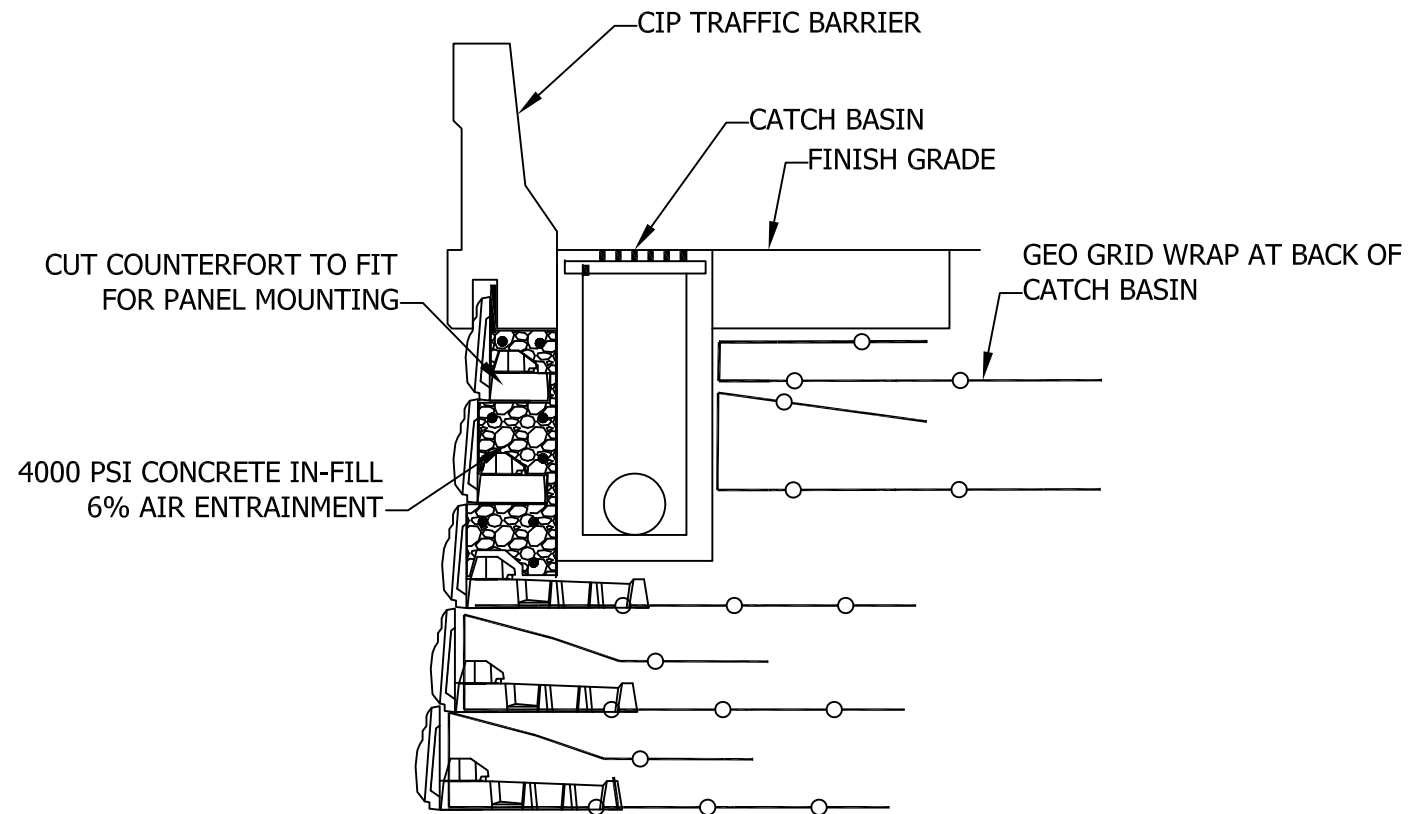
TYPICAL SWALE SECTION

NOTE:
 CONCRETE FOOTING MINIMUM COMPRESSIVE STRENGTH
 AFTER 28 DAYS 3000 PSI

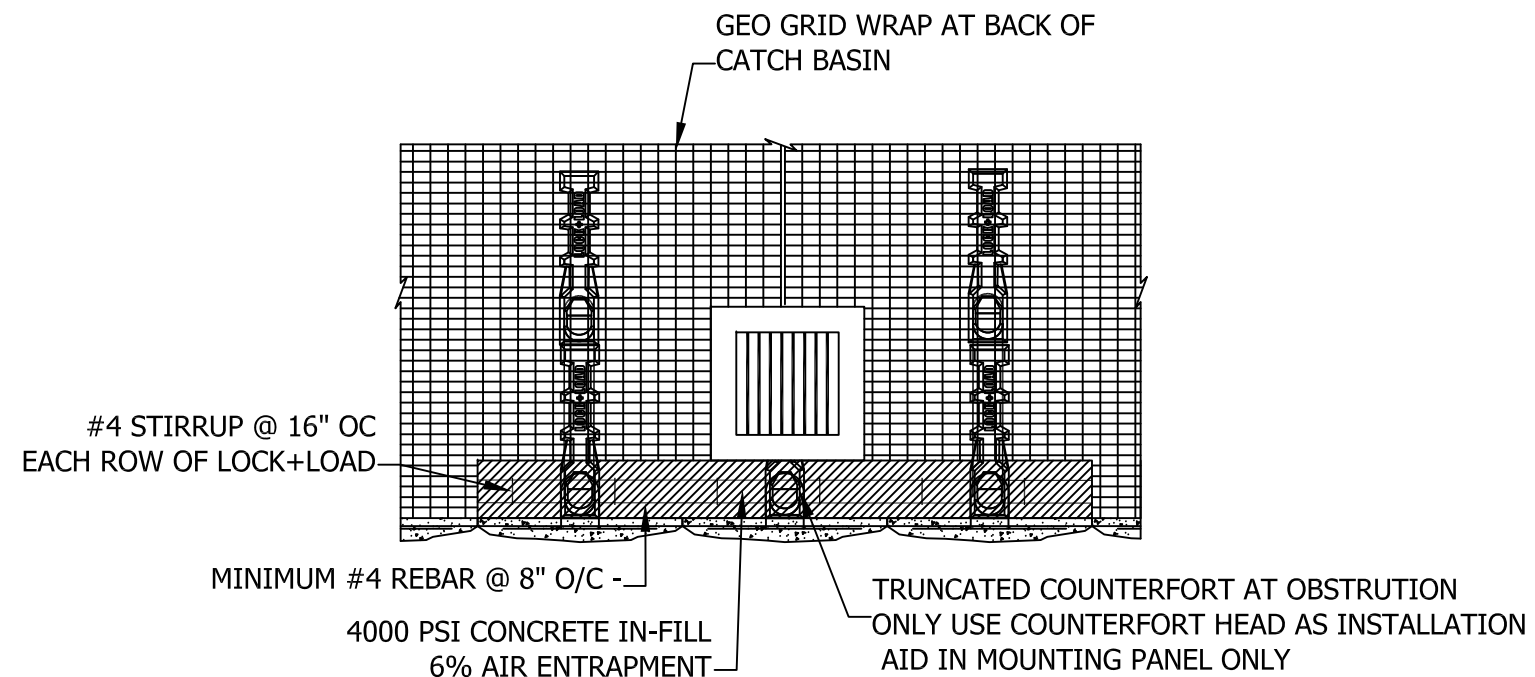
REV #	DESCRIPTION	DATE

LOCK+LOADTM
 RETAINING WALL SYSTEMS
 1681 CHESTNUT STREET, SUITE 400, VANCOUVER, B.C. V6J 4M6
 Tel:(604) 732-9990 Toll Free: 1-877-301-9998 Fax: (604) 737-1140
 Web site: www.lock-load.com

DRAWING NAME	DRAINAGE SWALE	
PROJECT NAME	TYPICAL DETAILS	
LOCATION		
CITY	COUNTRY	
DRAWN BY	KJA	DATE 01/06/12
APPROVED BY		PREPARED FOR
SCALE	N.T.S.	
OUR PROJECT NUMBER		OUR DRAWING NUMBER
CUSTOMER DRAWING		LL-WSDOT-11A-SWALE



SECTION DETAIL @ CATCH BASIN WALL FACE

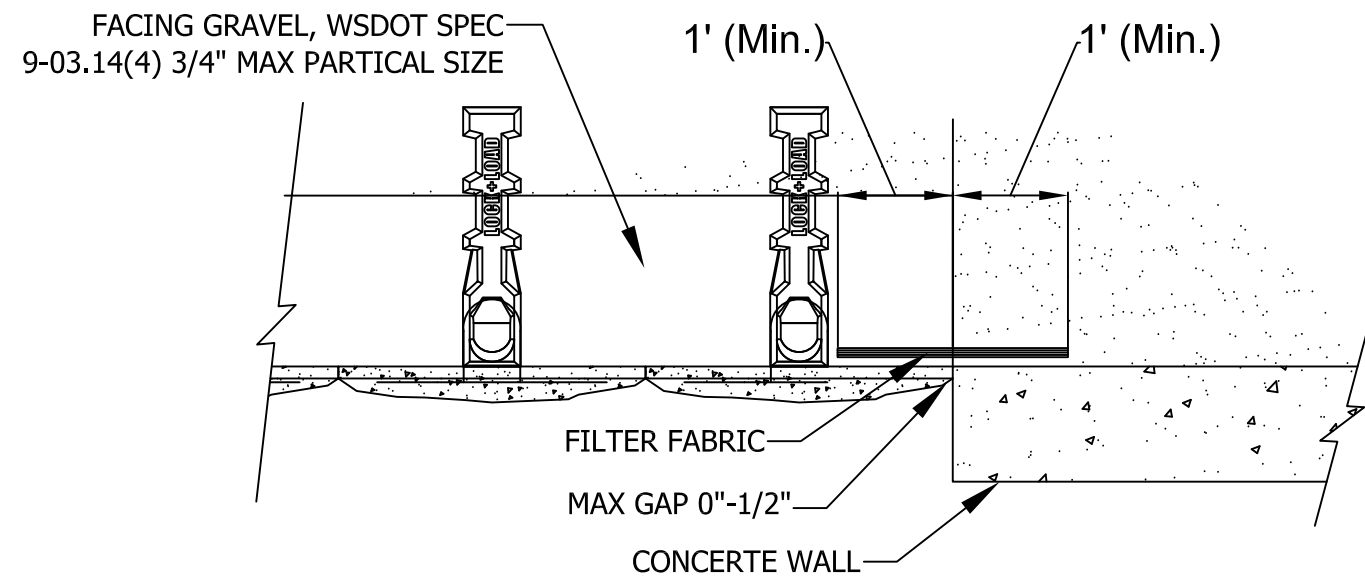


TOP VIEW CATCH BASIN AT WALL FACE DETAILS

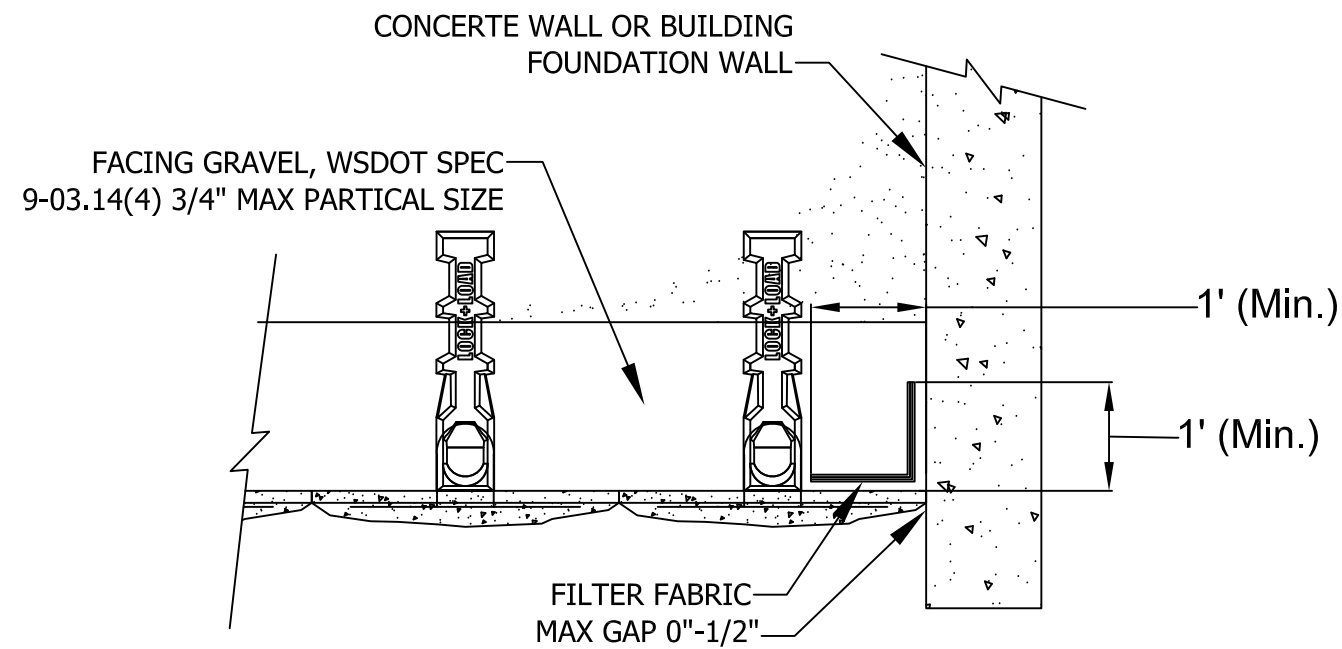
REV #	DESCRIPTION	DATE

LOCK+LOADTM
 RETAINING WALL SYSTEMS
 1681 CHESTNUT STREET, SUITE 400, VANCOUVER, B.C. V6J 4M6
 Tel: (604) 732-9990 Toll Free: 1-877-901-9998 Fax: (604) 737-1140
 Web site: www.lock-load.com

DRAWING NAME	CATCH BASIN
PROJECT NAME	TYPICAL DETAILS
LOCATION	
CITY	COUNTRY
DRAWN BY	DATE
KJA	01/06/12
APPROVED BY	PREPARED
RC/DA	FOR
SCALE	N.T.S.
OUR PROJECT NUMBER	OUR DRAWING NUMBER
CUSTOMER DRAWING	LL-WSDOT-11B-CATCH BASIN



PARALLEL APPURTENANCE CONNECTION DETAIL

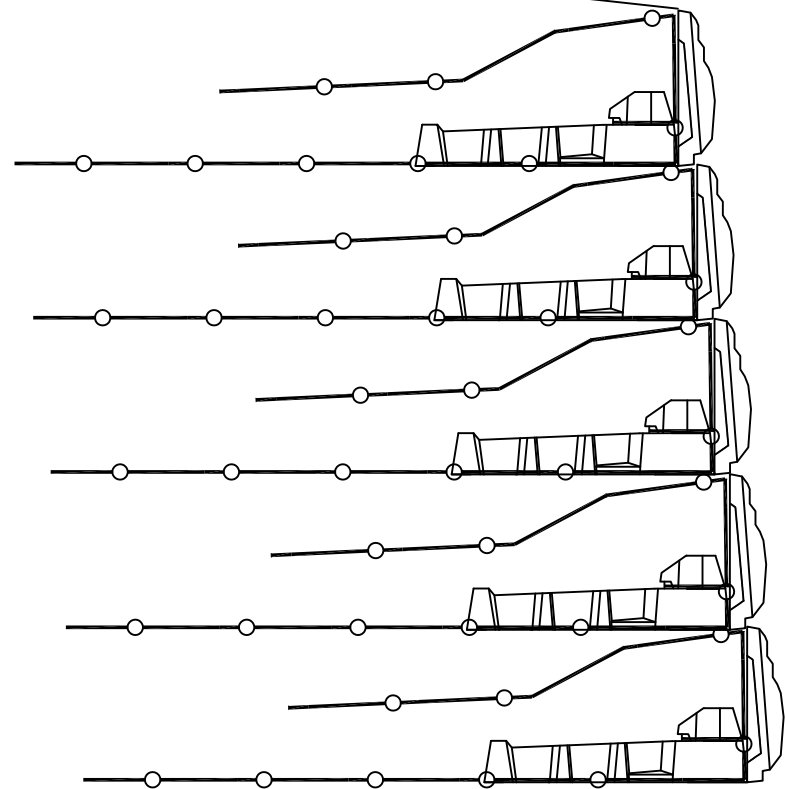


90 DEGREE APPURTENANCE CONNECTION DETAIL

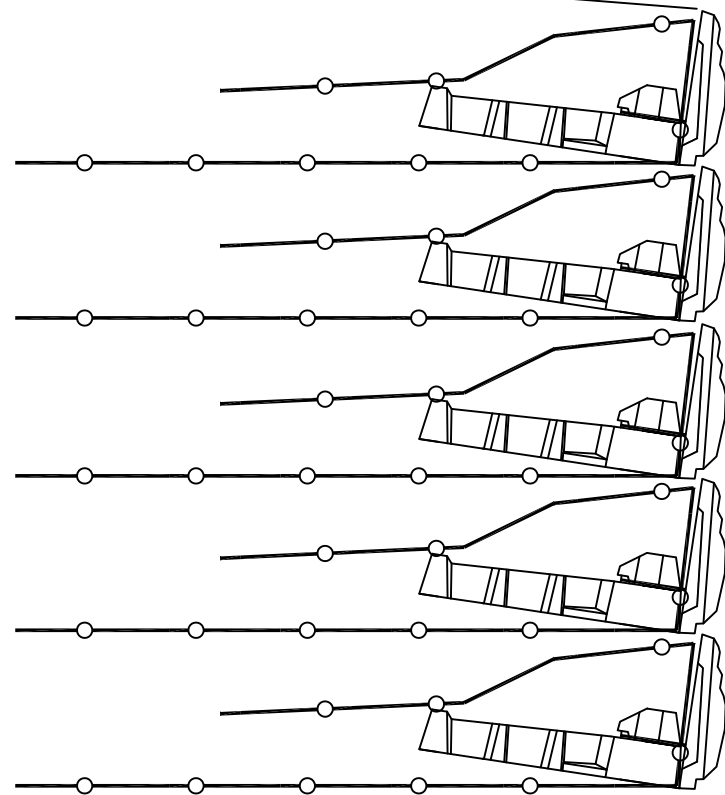
REV	DESCRIPTION	DATE
-----	-------------	------

LOCK+LOAD™
 RETAINING WALL SYSTEMS
 1681 CHESTNUT STREET, SUITE 400, VANCOUVER, B.C. V6J 4M6
 Tel:(604) 732-9990 Toll Free: 1-877-301-9998 Fax: (604) 737-1140
 Web site: www.lock-load.com

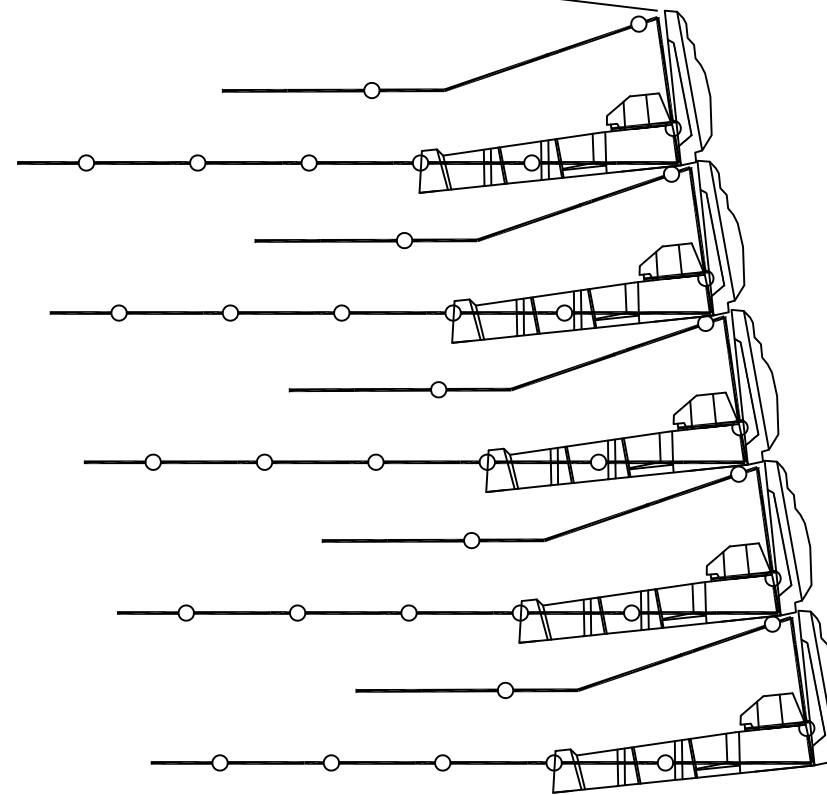
DRAWING NAME	CONNECTION DETAIL	
PROJECT NAME	TYPICAL DETAILS	
LOCATION		
CITY	COUNTRY	
DRAWN BY	KJA	DATE 01/06/12
APPROVED BY	R. COGLAS	PREPARED FOR
SCALE	N.T.S.	FOR
OUR PROJECT NUMBER		OUR DRAWING NUMBER
CUSTOMER DRAWING		LL-WSDOT-11C-CONNECTION



STANDARD 1:10 BATTER WALL



VERTICAL WALL BATTER



1:5 WALL BATTER

REV #	DESCRIPTION	DATE

LOCK+LOAD™
 RETAINING WALL SYSTEMS

1681 CHESTNUT STREET, SUITE 400, VANCOUVER, B.C. V6J 4M6
 Tel: (604) 732-9990 Toll Free: 1-877-301-9998 Fax: (604) 737-1140
 Web site: www.lock-load.com

DRAWING NAME	VARIBLE BATTERED
PROJECT NAME	TYPICAL DETAILS
LOCATION	
CITY	COUNTRY
DRAWN BY	KJA
DATE	01/06/12
APPROVED BY	RC/DA
PREPARED	FOR
SCALE	N.T.S.
OUR PROJECT NUMBER	OUR DRAWING NUMBER
CUSTOMER DRAWING	LL-WSDOT-12-WALL FACE BATTER