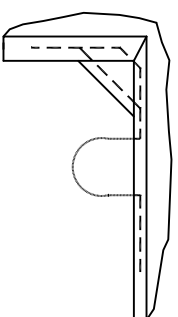


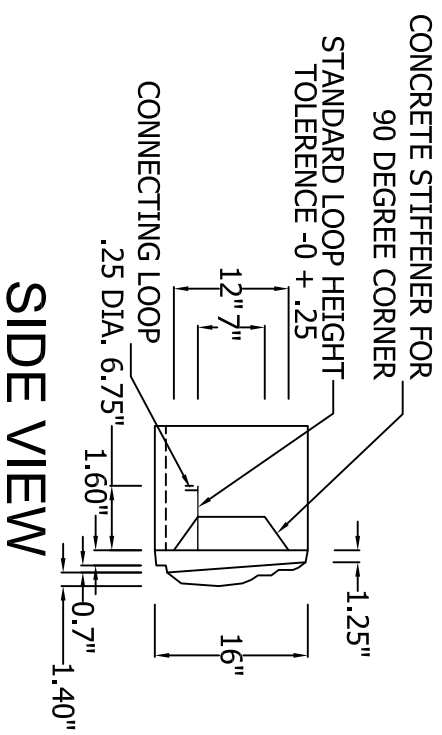
**TOP VIEW**

**LEFT OUTSIDE CORNER**

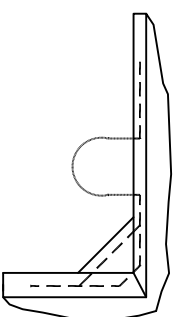


**TOP VIEW**

**RIGHT OUTSIDE CORNER**



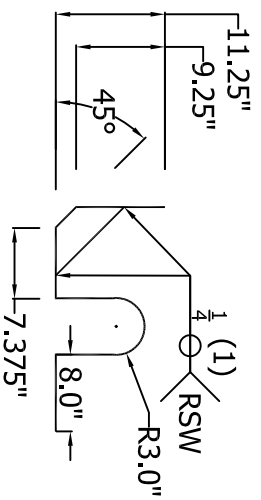
**SIDE VIEW**



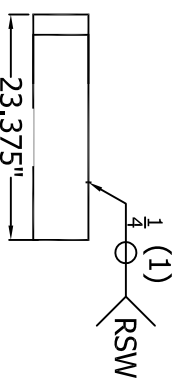
**TOP VIEW**

**LEFT OUTSIDE CORNER**

- NOTE:**
- 1) MINIMUM CONCRETE COMPRESSIVE STRENGTH 5500psi AT 28 DAYS
  - 2) 6% AIR ENTRAINMENT
  - 3) 3 LBS STRUCTURAL FIBER PER CUBIC YARD
  - 4) FACING TEXTURE AS SPECIFIED IN CONTRACT



**TOP VIEW**



**FRONT VIEW**



**SIDE VIEW**

**CORNER REINFORCEMENT DETAILS**

**NOTE:**  
 MATERIAL IS 1/4" DIA. T304 STAINLESS STEEL WIRE 115 KSI ASTM A 580  
 ALL DIMENSIONS ARE TO OUTSIDE TO OUTSIDE INCLUDING RADIUS  
 WELDING IN ACCORDANCE WITH AASHTO/AWS D1.5M/D1.5

REV #	DESCRIPTION	DATE

**LOGK+LOAD**<sup>TM</sup>  
 RETAINING WALL SYSTEMS  
 1881 CHESTNUT STREET, SUITE 400, VANCOUVER, B.C. V6J 4M6  
 Tel: (604) 732-9999 Fax: (604) 731-1140  
 Web site: www.logk-load.com

DESIGNING FIRM	WET CAST CORNER
PROJECT NAME	TYPICAL DETAILS
CITY	
DRAWN BY	KJA
DATE	01/06/12
APPROVED BY	RC/DA
SCALE	N.T.S.
OUR PROJECT NUMBER	
CUSTOMER DRAWING	LL-WSDOT-1F-CORNER
PREPARED FOR	
OUR DRAWING NUMBER	