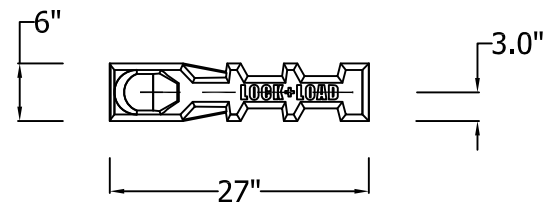
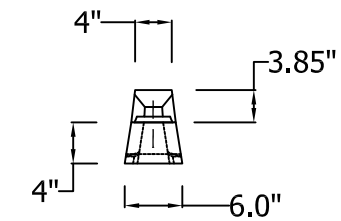


**NOTE:**

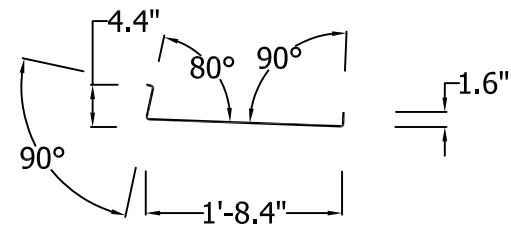
- 1) MINIMUM CONCRETE COMPRESSIVE STRENGTH AT 28 DAYS 5500 PSI
- 2) 6% AIR ENTRAINMENT
- 3) 3 LBS STRUCTURAL FIBER PER CUBIC YARD



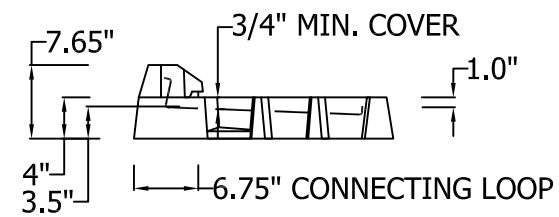
**TOP VIEW**



**REAR VIEW**



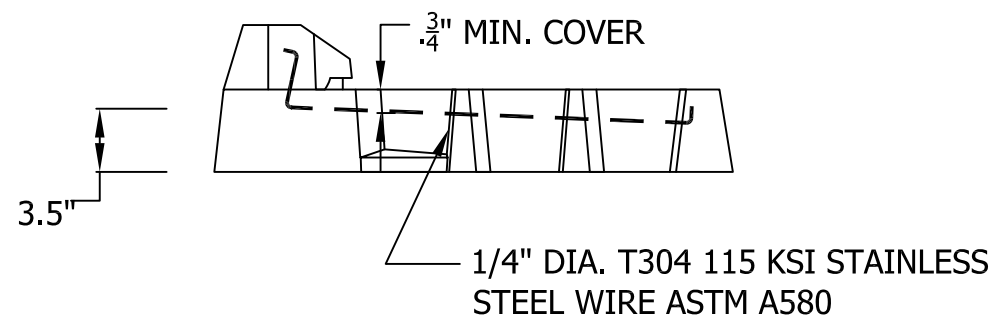
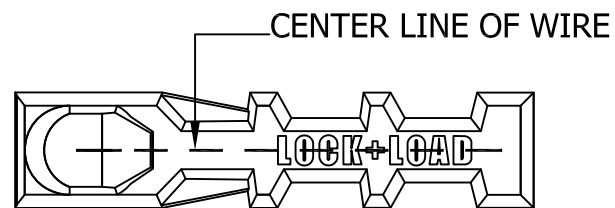
**BAR BENDING DETAIL**



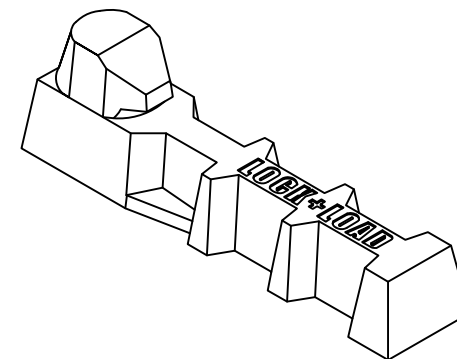
**SIDE VIEW**

**NOTE:**

- 1) MATERIAL IS 1/4" DIA. T304 115 KSI STAINLESS STEEL WIRE ASTM A580



**LOCATION**



**PICTORIAL VIEW**

REV #	DESCRIPTION	DATE

**LOCK+LOAD**<sup>TM</sup>  
 RETAINING WALL SYSTEMS  
 1681 CHESTNUT STREET, SUITE 400, VANCOUVER, B.C. V6J 4M6  
 Tel: (604) 732-9990 Toll Free: 1-877-301-9998 Fax: (604) 737-1140  
 Web site: www.lock-load.com

DRAWING NAME	STANDARD COUNTERFORT
PROJECT NAME	TYPICAL DETAILS
LOCATION	
CITY	COUNTRY
DRAWN BY	DATE
KJA	01/06/12
APPROVED BY	PREPARED
RC/DA	FOR
SCALE	N.T.S.
OUR PROJECT NUMBER	OUR DRAWING NUMBER
CUSTOMER DRAWING	LL-WSDOT-1E-COUNTERFORT