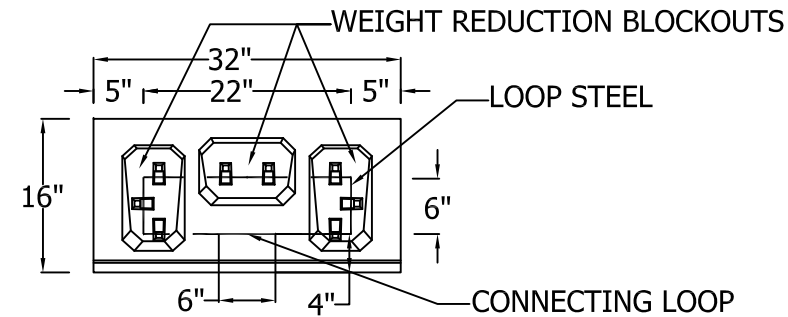


CONNECTING LOOP

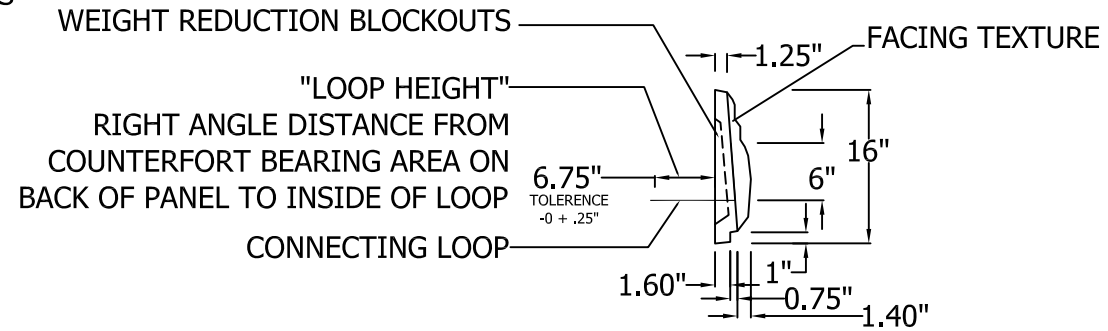
FRONT VIEW

NOTE:

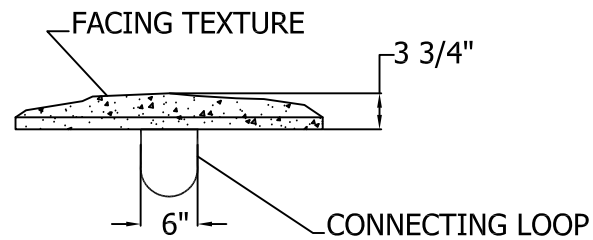
- 1) MINIMUM CONCRETE COMPRESSIVE STRENGTH AT 28 DAYS IS 5500 PSI
- 2) 6% AIR ENTRAINMENT
- 3) 3 LBS STRUCTURAL FIBER PER CUBIC YARD
- 4) FACING TEXTURE AS SPECIFIED IN CONTRACT
- 5) LOOP EMBEDMENT STAYS THE SAME FOR ALL TEXTURES



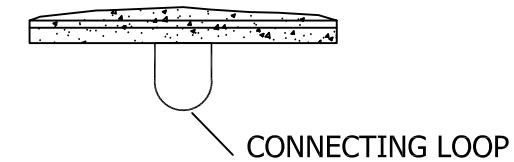
BACK VIEW



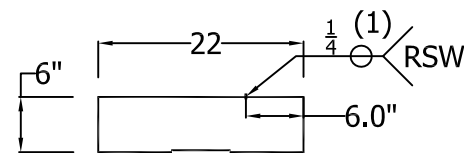
SIDE VIEW



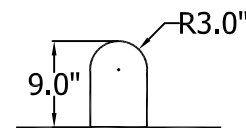
TOP VIEW



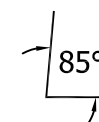
BOTTOM VIEW



FRONT VIEW



TOP VIEW



SIDE VIEW

CONNECTING LOOP- DETAIL

NOTE:

MATERIAL IS 1/4" DIA. T304 STAINLESS STEEL WIRE ASTM A580
 ALL DIMENSIONS OUTSIDE TO OUTSIDE INCLUDING RADIUS
 WELDING IN ACCORDANCE WITH AASHTO/AWS D1.5M/D1.5

REV #	DESCRIPTION	DATE

LOCK+LOADTM
 RETAINING WALL SYSTEMS
 1681 CHESTNUT STREET, SUITE 400, VANCOUVER, B.C. V6J 4M6
 Tel: (604) 732-9990 Toll Free: 1-877-301-9998 Fax: (604) 737-1140
 Web site: www.lock-load.com

DRAWING NAME: STANDARD PANEL / CONNECTION DETAIL
 PROJECT NAME: TYPICAL DETAILS
 LOCATION:
 CITY: COUNTRY:
 DRAWN BY: KJA DATE: 01/06/12
 APPROVED BY: RC/DA PREPARED FOR:
 SCALE: N.T.S. FOR:
 OUR PROJECT NUMBER: OUR DRAWING NUMBER:
 CUSTOMER DRAWING: LL-WSDOT-1C PANEL